

**Lavavajillas
Lavevaisselle
Dishwasher
Geschirrspüler
Lavastoviglie**

Modelos:

FI-30



PLATON SERVICE

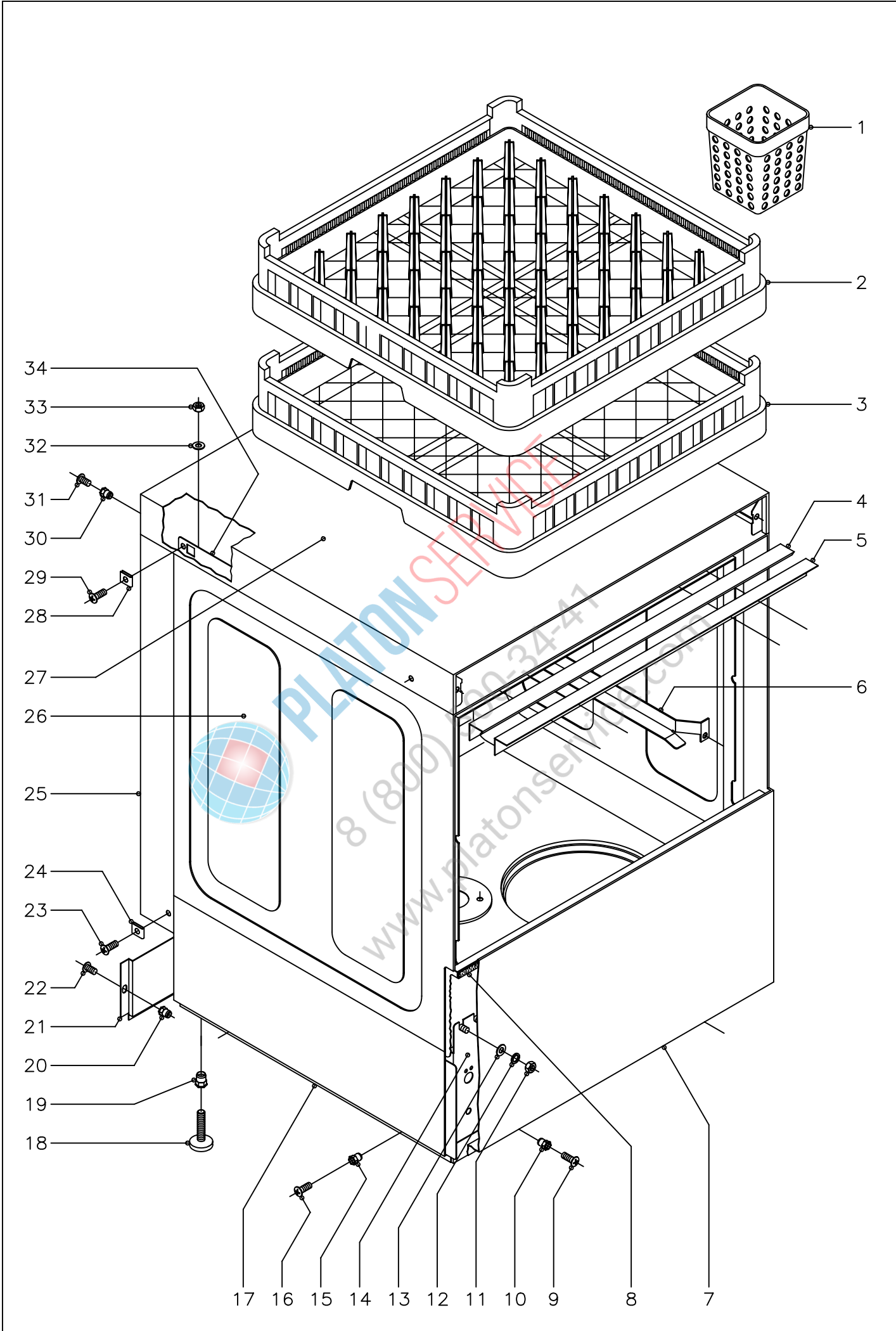
8 (800) 500-34-47

www.platonservice.com

Junio 2003 June



Fagor Industrial

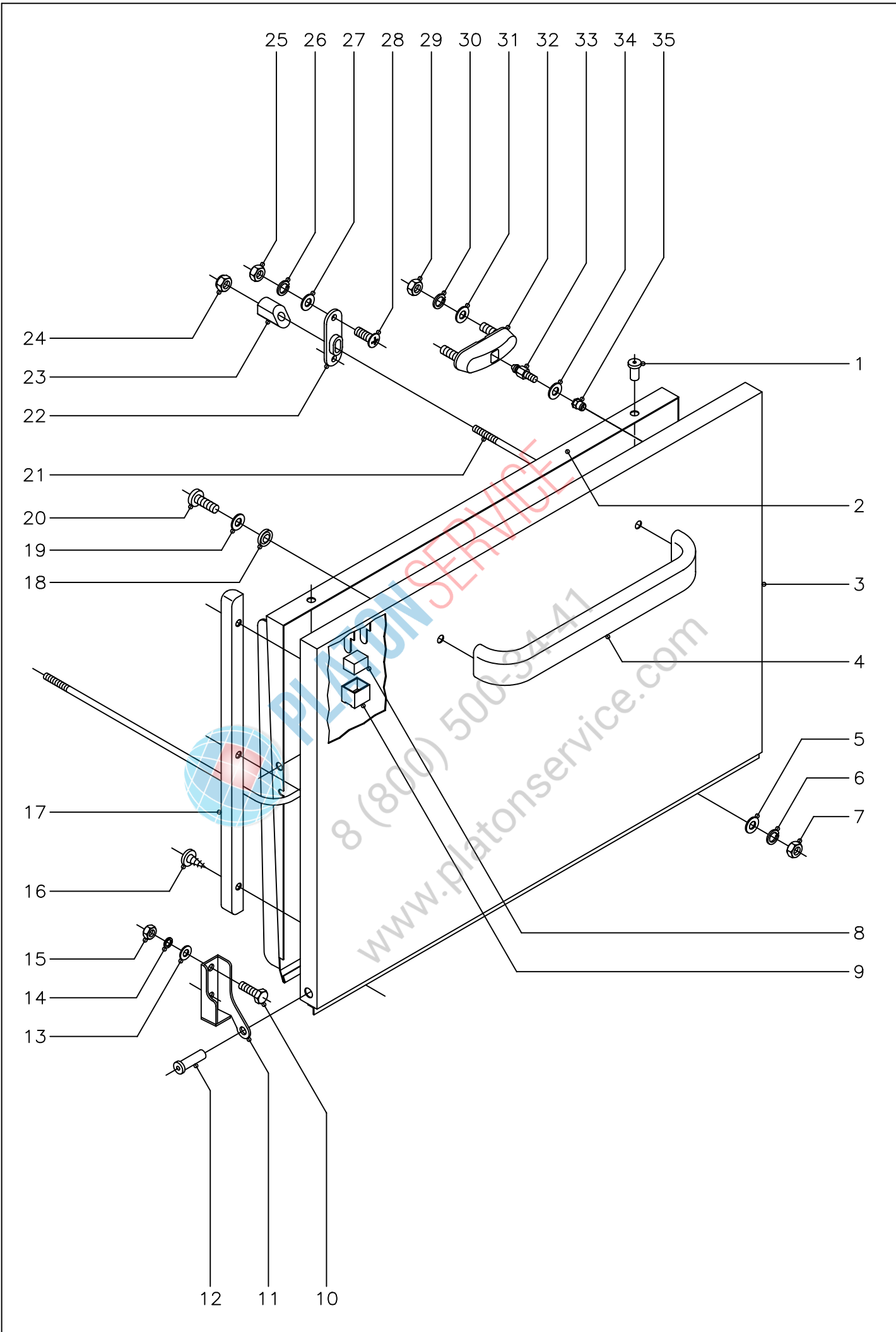


| | | | | | |
|-------------------|-----------|-----------------|---|-------------|--|
| N plano C-1366 | Firma | Fecha 6-2003 | Aparato MUEBLE LAVAVAJILLAS FI-30 | Lamina 1 | Fagor Industrial S.Coop. FAGOR Oñate |
|-------------------|-----------|-----------------|---|-------------|--|

| MOD. | | LAVAVAJILLAS FRONTAL | | ZONA | MUEBLE | | | | | PLANO | C-1366 | |
|------|---------|---------------------------|-------|-------|--------|--|--|--|--|-------|--------|-------|
| ITEM | CODIGO | DENOMINACION | TEXTO | FI-30 | | | | | | | | NOTAS |
| 1 | Z655314 | Cestillo cubiertos | | 1 | | | | | | | | |
| 2 | Z655302 | Cestillo platos CP-16/18 | | 1 | | | | | | | | |
| 3 | Z655301 | Cestillo base CT-10 | | 1 | | | | | | | | |
| 4 | Z200315 | Perfil caja | | 1 | | | | | | | | |
| 5 | Z200309 | Escuadra sujecion perfil | | 1 | | | | | | | | |
| 6 | Z200305 | Guia cestillo derecha | | 1 | | | | | | | | |
| s/n | Z200306 | Guia cestillo izquierda | | 1 | | | | | | | | |
| | Q232040 | Arandela plana A-6 | | 4 | | | | | | | | |
| | Q162040 | Tuerca exagonal M-6 | | 4 | | | | | | | | |
| 7 | Z202913 | Panel frontal | | 1 | | | | | | | | |
| 8 | Z200313 | Perfil goma esponjosa | | 1 | | | | | | | | |
| 9 | Q152004 | Tornillo aplastado M-5x13 | | 2 | | | | | | | | |
| 10 | Q221342 | Remache exagonal M-5 | | 2 | | | | | | | | |
| 11 | Q162040 | Tuerca exagonal M-6 | | 8 | | | | | | | | |
| 12 | Q262040 | Arandela muelle A-6 | | 8 | | | | | | | | |
| 13 | Q232040 | Arandela plana A-6 | | 8 | | | | | | | | |
| 14 | Z200101 | Armazon completo | | 1 | | | | | | | | |
| 15 | Q221342 | Remache exagonal M-5 | | 4 | | | | | | | | |
| 16 | Q152004 | Tornillo aplastado M-5x13 | | 4 | | | | | | | | |
| 17 | Z202903 | Panel lateral izquierdo | | 1 | | | | | | | | |
| s/n | Z202902 | Panel lateral derecho | | 1 | | | | | | | | |
| 18 | Z200105 | Pata regulable | | 4 | | | | | | | | |
| 19 | Q221345 | Remache exagonal M-10 | | 4 | | | | | | | | |
| 20 | Q221342 | Remache exagonal M-5 | | 2 | | | | | | | | |
| 21 | Z202912 | Panel posterior inferior | | 1 | | | | | | | | |
| 22 | Q152004 | Tornillo aplastado M-5x13 | | 2 | | | | | | | | |
| 23 | Q152004 | Tornillo aplastado M-5x13 | | 2 | | | | | | | | |
| 24 | Q221012 | Tuerca rapida M-5 | | 2 | | | | | | | | |
| 25 | Z202904 | Panel posterior | | 1 | | | | | | | | |

| | | | | | |
|-------------|-----------------------------|-------------|---------------|--------------|---------------|
| MOD. | LAVAVAJILLAS FRONTAL | ZONA | MUEBLE | PLANO | C-1366 |
|-------------|-----------------------------|-------------|---------------|--------------|---------------|

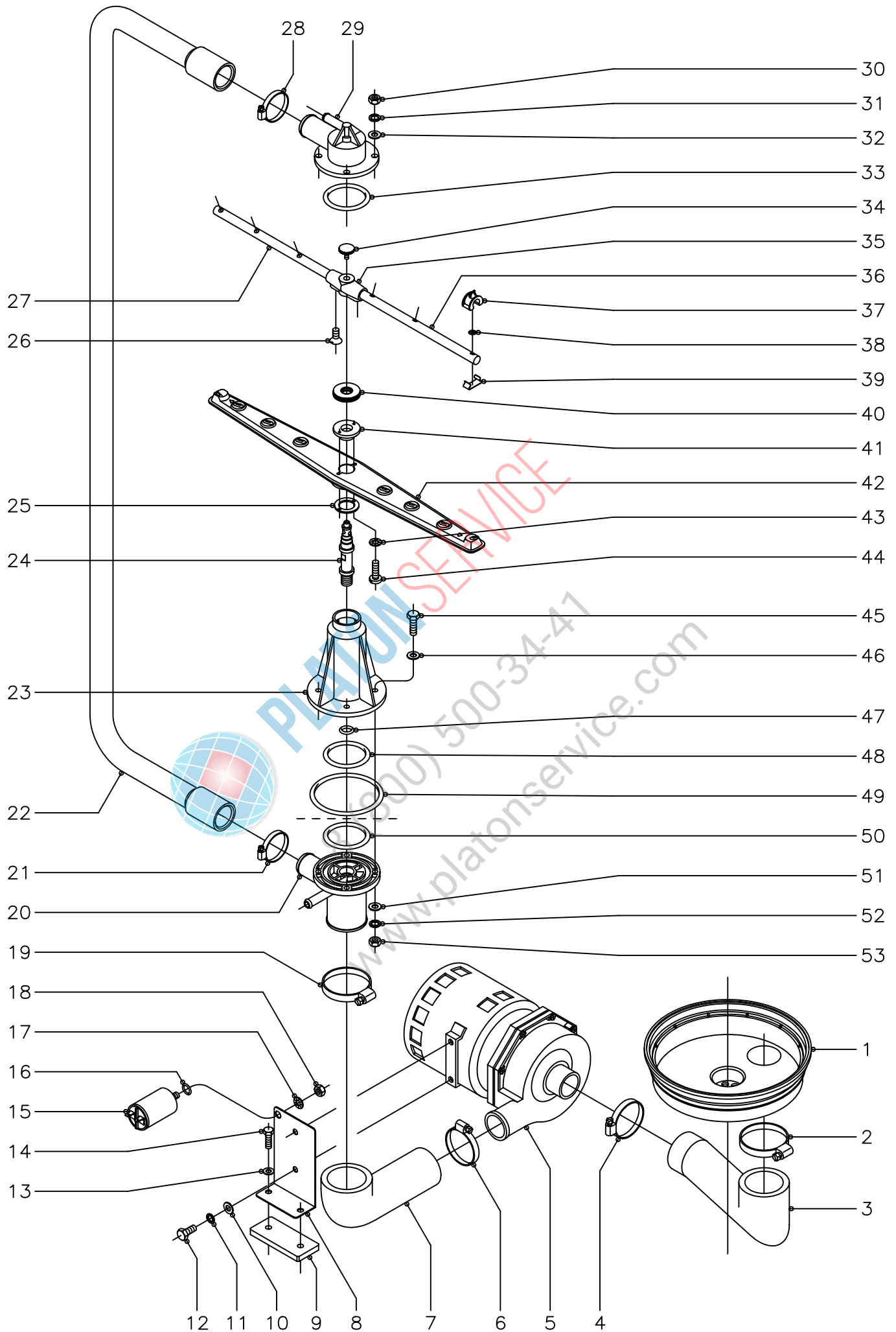
| ITEM | CODIGO | DENOMINACION | TEXTO | FI-30 | | | | | | | | | NOTAS |
|-------------|---------------|---------------------------|--------------|--------------|--|--|--|--|--|--|--|--|--------------|
| 26 | Z200325 | Caja soldada | | 1 | | | | | | | | | |
| 27 | Z202906 | Tapa | | 1 | | | | | | | | | |
| 28 | Q221012 | Tuerca rapida M-5 | | 4 | | | | | | | | | |
| 29 | Q152004 | Tornillo aplastado M-5x13 | | 4 | | | | | | | | | |
| 30 | Q221342 | Remache exagonal M-5 | | 2 | | | | | | | | | |
| 31 | Q152004 | Tornillo aplastado M-5x13 | | 2 | | | | | | | | | |
| 32 | Q232040 | Arandela plana A-6 | | 4 | | | | | | | | | |
| 33 | Q162040 | Tuerca exagonal M-6 | | 4 | | | | | | | | | |
| 34 | Z200307 | Escuadra amarre tapa | | 2 | | | | | | | | | |
| | | | | | | | | | | | | | |
| | | | | | | | | | | | | | |
| | | | | | | | | | | | | | |
| | | | | | | | | | | | | | |
| | | | | | | | | | | | | | |
| | | | | | | | | | | | | | |
| | | | | | | | | | | | | | |
| | | | | | | | | | | | | | |
| | | | | | | | | | | | | | |
| | | | | | | | | | | | | | |
| | | | | | | | | | | | | | |
| | | | | | | | | | | | | | |
| | | | | | | | | | | | | | |
| | | | | | | | | | | | | | |
| | | | | | | | | | | | | | |
| | | | | | | | | | | | | | |
| | | | | | | | | | | | | | |



| | | | | | |
|-------------------|-----------|-----------------|---|-------------|--|
| N plano C-1367 | Firma | Fecha 6-2003 | Aparato PUERTA LAVAVAJILLAS FI-30 | Lamina 2 | Fagor Industrial S.Coop. FAGOR Oñate |
|-------------------|-----------|-----------------|---|-------------|--|

| MOD. | | LAVAVAJILLAS FRONTAL | | ZONA | PUERTA | | | | | PLANO | C-1367 | |
|------|---------|---------------------------|-------|-------|--------|--|--|--|--|-------|--------|-------|
| ITEM | CODIGO | DENOMINACION | TEXTO | FI-30 | | | | | | | | NOTAS |
| 1 | Q412000 | Remache tubular Ø4x8 | | 4 | | | | | | | | |
| 2 | Z200545 | Contrapuerta soldada | | 1 | | | | | | | | |
| 3 | Z200541 | Puerta soldada | | 1 | | | | | | | | |
| 4 | Z200512 | Asa puerta | | 1 | | | | | | | | |
| 5 | Q232030 | Arandela plana A-5 | | 2 | | | | | | | | |
| 6 | Q262030 | Arandela muelle A-5 | | 2 | | | | | | | | |
| 7 | Q162030 | Tuerca exagonal M-5 | | 2 | | | | | | | | |
| 8 | Z200506 | Iman | | 1 | | | | | | | | |
| 9 | Z200507 | Protector iman | | 1 | | | | | | | | |
| 10 | Q012042 | Tornillo exagonal M-6x15 | | 4 | | | | | | | | |
| 11 | Z400514 | Bisagra izquierda | | 1 | | | | | | | | |
| s/n | Z400515 | Bisagra derecha | | 1 | | | | | | | | |
| 12 | Z400516 | Eje puerta | | 2 | | | | | | | | |
| 13 | Q232040 | Arandela plana A-6 | | 4 | | | | | | | | |
| 14 | Q262040 | Arandela muelle A-6 | | 4 | | | | | | | | |
| 15 | Q162040 | Tuerca exagonal M-6 | | 4 | | | | | | | | |
| 16 | Q082005 | Tornillo chapa 4,2x13 | | 6 | | | | | | | | |
| 17 | Z200524 | Marco puerta | | 2 | | | | | | | | |
| 18 | Q308002 | Arandela dubo A-6 | | 2 | | | | | | | | |
| 19 | Q232040 | Arandela plana A-6 | | 2 | | | | | | | | |
| 20 | Q032041 | Tornillo alomado M-6x10 | | 2 | | | | | | | | |
| 21 | Z200521 | Varilla tensor | | 1 | | | | | | | | |
| 22 | Z200310 | Soporte tensor | | 2 | | | | | | | | |
| 23 | Z200522 | Tensor de puerta | | 2 | | | | | | | | |
| 24 | Q222012 | Tuerca autoblocante M-6 | | 2 | | | | | | | | |
| 25 | Q162030 | Tuerca exagonal M-5 | | 4 | | | | | | | | |
| 26 | Q262030 | Arandela muelle A-5 | | 4 | | | | | | | | |
| 27 | Q232030 | Arandela plana A-5 | | 4 | | | | | | | | |
| 28 | Q152004 | Tornillo aplastado M-5x13 | | 4 | | | | | | | | |

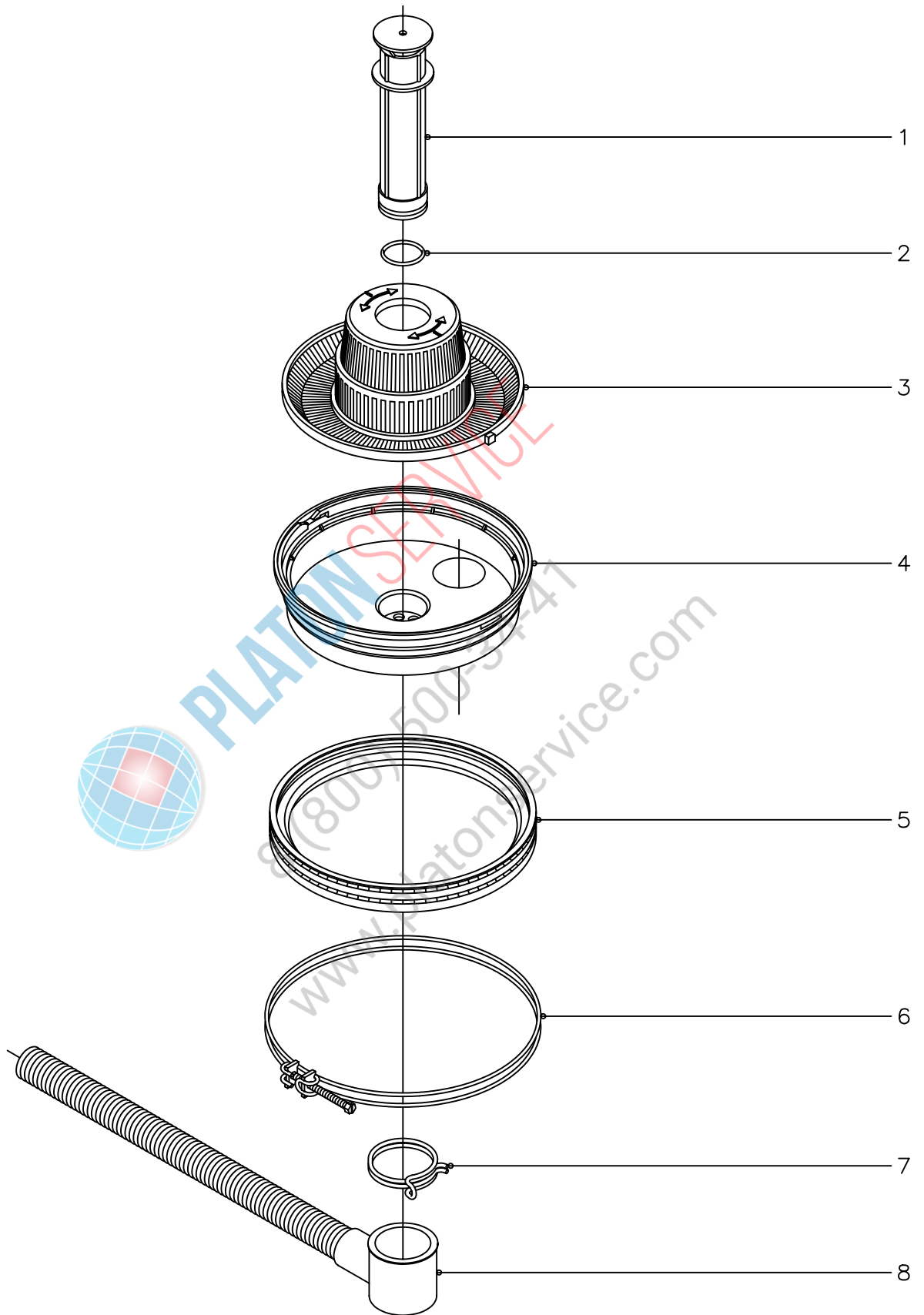
| MOD. | | LAVAVAJILLAS FRONTAL | | ZONA | PUERTA | | | | PLANO | C-1367 | |
|------|---------|-------------------------|-------|-------|--------|--|--|--|-------|--------|--|
| ITEM | CODIGO | DENOMINACION | TEXTO | FI-30 | | | | | | NOTAS | |
| 29 | Q222012 | Tuerca autoblocante M-6 | | 4 | | | | | | | |
| 30 | Q262040 | Arandela muelle A-6 | | 4 | | | | | | | |
| 31 | Q232040 | Arandela plana A-6 | | 4 | | | | | | | |
| 32 | Z200607 | Conjunto cierre puerta | | 2 | | | | | | | |
| 33 | Z200601 | Enganche cierre | | 2 | | | | | | | |
| 34 | Q232030 | Arandela plana A-5 | | 2 | | | | | | | |
| 35 | Q222011 | Remache exagonal M-5 | | 2 | | | | | | | |
| | | | | | | | | | | | |
| | | | | | | | | | | | |
| | | | | | | | | | | | |
| | | | | | | | | | | | |
| | | | | | | | | | | | |
| | | | | | | | | | | | |
| | | | | | | | | | | | |
| | | | | | | | | | | | |
| | | | | | | | | | | | |
| | | | | | | | | | | | |
| | | | | | | | | | | | |
| | | | | | | | | | | | |
| | | | | | | | | | | | |
| | | | | | | | | | | | |
| | | | | | | | | | | | |
| | | | | | | | | | | | |
| | | | | | | | | | | | |
| | | | | | | | | | | | |
| | | | | | | | | | | | |
| | | | | | | | | | | | |
| | | | | | | | | | | | |
| | | | | | | | | | | | |
| | | | | | | | | | | | |



| | | | | | |
|-------------------|--|-----------------|--|-------------|--|
| N plano C-1368 | Firma  | Fecha 6-2003 | Aparato PARTE FUNCIONAL DE LAVADO LAVAVAJILLAS FI-30 | Lamina 3 | Fagor Industrial S.Coop. FAGOR  Ofate |
|-------------------|--|-----------------|--|-------------|--|

| MOD. | | LAVAVAJILLAS FRONTAL | | ZONA | PARTE FUNCIONAL DE LAVADO | | | | | PLANO | C-1368 | |
|------|---------|-----------------------------------|-------|-------|---------------------------|--|--|--|--|-------|--------|-------|
| ITEM | CODIGO | DENOMINACION | TEXTO | FI-30 | | | | | | | | NOTAS |
| 1 | Z200906 | Cubeta | | 1 | | | | | | | | |
| 2 | Q881324 | Abrazadera 50 - 70 | | 1 | | | | | | | | |
| 3 | Z200904 | Codo aspiracion | | 1 | | | | | | | | |
| 4 | Q881307 | Abrazadera 40 - 60 | | 1 | | | | | | | | |
| 5 | Z201011 | Bomba de lavado (230 V., 50Hz.) | | 1 | | | | | | | | |
| 5 | Z203511 | Bomba de lavado (230 V., 60Hz.) | | 1 | | | | | | | | |
| | Z201081 | Conjunto junta y reten de bomba | | 1 | | | | | | | | |
| | Z201082 | Turbina 50 Hz. (Ø88mm.) | | 1 | | | | | | | | |
| | Z203571 | Turbina 60 Hz. (Ø77mm.) | | 1 | | | | | | | | |
| 6 | Q881307 | Abrazadera 40 - 60 | | 1 | | | | | | | | |
| 7 | Z200905 | Codo impulsion | | 1 | | | | | | | | |
| 8 | Z201002 | Soporte motobomba | | 1 | | | | | | | | |
| 9 | Z201003 | Base bomba lavado | | 1 | | | | | | | | |
| 10 | Q232040 | Arandela plana A-6 | | 2 | | | | | | | | |
| 11 | Q262040 | Arandela muelle A-6 | | 2 | | | | | | | | |
| 12 | Q012041 | Tornillo exagonal M-6x10 | | 2 | | | | | | | | |
| 13 | Q232030 | Arandela plana A-5 | | 2 | | | | | | | | |
| 14 | Q012033 | Tornillo exagonal M-5x20 | | 2 | | | | | | | | |
| 15 | V321300 | Condensador 10 mF. | | 1 | | | | | | | | |
| 16 | Q307048 | Junta torica Ø16,18xØ9,12xØ3,53 | | 1 | | | | | | | | |
| 17 | Q242050 | Arandela abanico A-8 | | 1 | | | | | | | | |
| 18 | Q162050 | Tuerca exagonal M-8 | | 1 | | | | | | | | |
| 19 | Q881324 | Abrazadera 50 - 70 | | 1 | | | | | | | | |
| 20 | Z200703 | Pasamuros | | 1 | | | | | | | | |
| 21 | Q881305 | Abrazadera 25 - 40 | | 1 | | | | | | | | |
| 22 | Z200706 | Arbol de lavado | | 1 | | | | | | | | |
| 23 | Z200701 | Soporte distribuidor inferior | | 1 | | | | | | | | |
| 24 | Z200704 | Eje central | | 2 | | | | | | | | |
| 25 | Z650711 | Amarre enganche distribuidor | | 2 | | | | | | | | |

| MOD. | | LAVAVAJILLAS FRONTAL | | ZONA | PARTE FUNCIONAL DE LAVADO | | | | | | PLANO | C-1368 |
|------|---------|----------------------------------|-------|-------|---------------------------|--|--|--|--|--|-------|--------|
| ITEM | CODIGO | DENOMINACION | TEXTO | F1-30 | | | | | | | | NOTAS |
| 26 | Q152024 | Tornillo avellanado M-4x8 | | 4 | | | | | | | | |
| 27 | Z201902 | Rama aclarado izquierda | | 2 | | | | | | | | |
| 28 | Q881305 | Abrazadera 25 - 40 | | 1 | | | | | | | | |
| 29 | Z200707 | Soporte distribuidor superior | | 1 | | | | | | | | |
| 30 | Q162040 | Tuerca exagonal M-6 | | 4 | | | | | | | | |
| 31 | Q262040 | Arandela muelle A-6 | | 4 | | | | | | | | |
| 32 | Q232040 | Arandela plana A-6 | | 4 | | | | | | | | |
| 33 | Q307052 | Junta torica Ø60,83xØ50,17xØ5,33 | | 1 | | | | | | | | |
| 34 | Q152016 | Tornillo especial M-5x0,8 | | 2 | | | | | | | | |
| 35 | Z201903 | Soporte ramas aclarado | | 2 | | | | | | | | |
| 36 | Z201901 | Rama aclarado derecha | | 2 | | | | | | | | |
| 37 | Z201905 | Tobera aclarado | | 12 | | | | | | | | |
| 38 | Q307036 | Junta torica Ø5,28xØ8,84xØ1,78 | | 12 | | | | | | | | |
| 39 | Z201906 | Eganche tobera aclarado | | 12 | | | | | | | | |
| 40 | Z200705 | Tuerca especial M-14x1 | | 2 | | | | | | | | |
| 41 | Z650704 | Eganche distribuidor | | 2 | | | | | | | | |
| 42 | Z650716 | Distribuidor montado | | 2 | | | | | | | | |
| 43 | Q242010 | Arandela abanico A-3 | | 4 | | | | | | | | |
| 44 | Q152015 | Tornillo alomado M-3x6 | | 4 | | | | | | | | |
| 45 | Q012046 | Tornillo exagonal M-6x40 | | 4 | | | | | | | | |
| 46 | Q306050 | Arandela fibra roja Ø11xØ6,2x1,5 | | 4 | | | | | | | | |
| 47 | Q307050 | Junta torica Ø19,18xØ13,94xØ2,62 | | 1 | | | | | | | | |
| 48 | Q307052 | Junta torica Ø60,83xØ50,17xØ5,33 | | 1 | | | | | | | | |
| 49 | Q307049 | Junta torica Ø95,75xØ85,09xØ5,33 | | 1 | | | | | | | | |
| 50 | Q307052 | Junta torica Ø60,83xØ50,17xØ5,33 | | 1 | | | | | | | | |
| 51 | Q232040 | Arandela plana A-6 | | 4 | | | | | | | | |
| 52 | Q262040 | Arandela muelle A-6 | | 4 | | | | | | | | |
| 53 | Q162040 | Tuerca exagonal M-6 | | 4 | | | | | | | | |
| | | | | | | | | | | | | |



N plano
C-1369

Firma

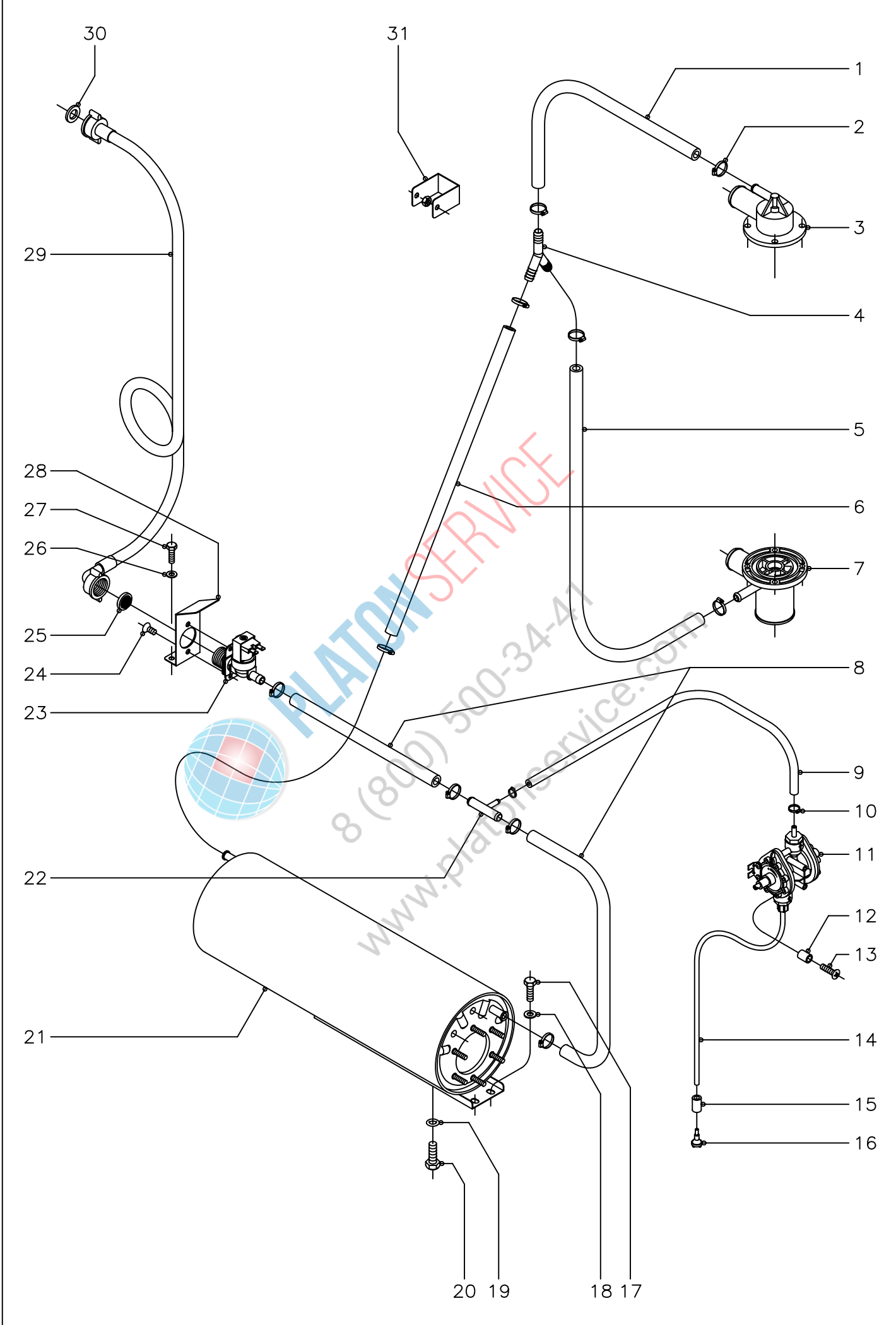
Fecha
6-2003

Aparato PARTE FUNCIONAL DESAGUE (POR GRAVEDAD)
LAVAVAJILLAS FI-30

Lamina
4

Fagor Industrial S.Coop. **FAGOR**
Oñate

| MOD. | | LAVAVAJILLAS FRONTAL | | ZONA | PARTE FUNCIONAL DESAGÜE | | | | | | PLANO | C-1369 | |
|------|---------|----------------------------------|-------|-------|-------------------------|--|--|--|--|--|-------|--------|--|
| ITEM | CODIGO | DENOMINACION | TEXTO | FI-30 | | | | | | | | NOTAS | |
| 1 | Z200909 | Aliviadero | | 1 | | | | | | | | | |
| 2 | Q307051 | Junta torica Ø41,41xØ36,17xØ2,62 | | 1 | | | | | | | | | |
| 3 | Z200901 | Filtro aspiracion | | 1 | | | | | | | | | |
| 4 | Z200906 | Cubeta | | 1 | | | | | | | | | |
| 5 | Z200907 | Junta cubeta | | 1 | | | | | | | | | |
| 6 | Z200908 | Abrazadera cubeta | | 1 | | | | | | | | | |
| 7 | Q901308 | Abrazadera elastica 56 - 58,8 | | 1 | | | | | | | | | |
| 8 | Z200910 | Manguera desagüe | | 1 | | | | | | | | | |
| | | | | | | | | | | | | | |
| | | | | | | | | | | | | | |
| | | | | | | | | | | | | | |
| | | | | | | | | | | | | | |
| | | | | | | | | | | | | | |
| | | | | | | | | | | | | | |
| | | | | | | | | | | | | | |
| | | | | | | | | | | | | | |
| | | | | | | | | | | | | | |
| | | | | | | | | | | | | | |
| | | | | | | | | | | | | | |
| | | | | | | | | | | | | | |
| | | | | | | | | | | | | | |
| | | | | | | | | | | | | | |
| | | | | | | | | | | | | | |
| | | | | | | | | | | | | | |
| | | | | | | | | | | | | | |
| | | | | | | | | | | | | | |
| | | | | | | | | | | | | | |
| | | | | | | | | | | | | | |
| | | | | | | | | | | | | | |
| | | | | | | | | | | | | | |
| | | | | | | | | | | | | | |
| | | | | | | | | | | | | | |
| | | | | | | | | | | | | | |
| | | | | | | | | | | | | | |

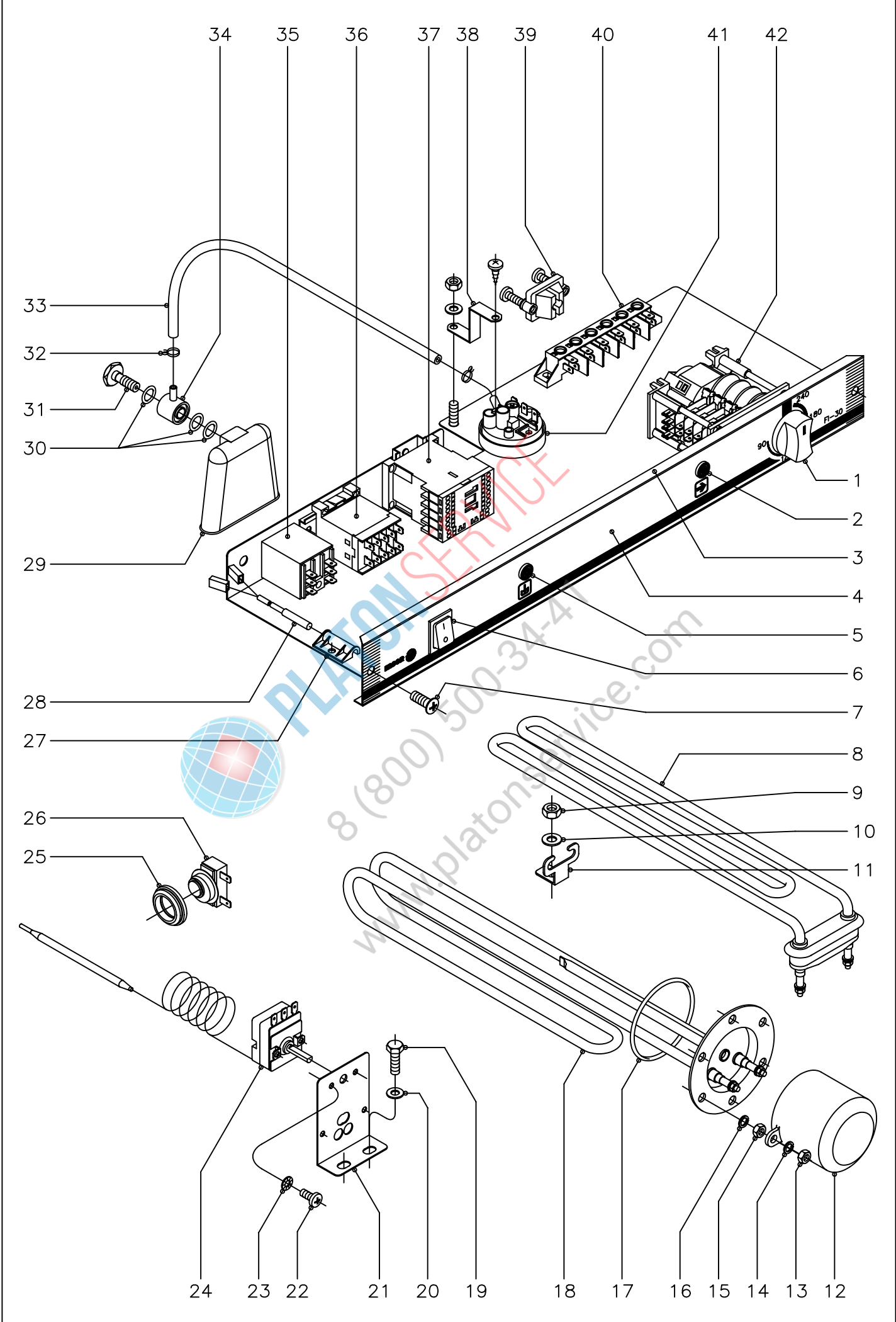



| | | | | | |
|-------------------|-----------|-----------------|---|-------------|--|
| N plano C-1370 | Firma | Fecha 6-2003 | Aparato PARTE FUNCIONAL ACLARADO LAVAVAJILLAS FI-30 | Lamina 5 | Fagor Industrial S.Coop. FAGOR Onate |
|-------------------|-----------|-----------------|---|-------------|--|

| MOD. | | LAVAVAJILLAS FRONTAL | | ZONA | PARTE FUNCIONAL ACLARADO | | | | | PLANO | C-1370 | |
|------|---------|---------------------------------|-------|-------|--------------------------|--|--|--|--|-------|--------|-------|
| ITEM | CODIGO | DENOMINACION | TEXTO | FI-30 | | | | | | | | NOTAS |
| 1 | 3676900 | Tube goma negra Ø17xØ10x360 | | 1 | | | | | | | | |
| 2 | Q881302 | Abrazadera 12 - 20 | | 10 | | | | | | | | |
| 3 | Z200707 | Soporte distribuidor superior | | 1 | | | | | | | | |
| 4 | Z201106 | Racord en "Y" | | 1 | | | | | | | | |
| 5 | 3676900 | Tube goma negra Ø17xØ10x780 | | 1 | | | | | | | | |
| 6 | 3676900 | Tube goma negra Ø17xØ10x580 | | 1 | | | | | | | | |
| 7 | Z200703 | Pasamuros | | 1 | | | | | | | | |
| 8 | 3676900 | Tube goma negra Ø17xØ10x80 | | 2 | | | | | | | | |
| 9 | 3704000 | Tube goma negra Ø10,5xØ5x620 | | 1 | | | | | | | | |
| 10 | Q881308 | Abrazadera 8 - 14 | | 2 | | | | | | | | |
| 11 | Z651123 | Dosificador tensoactivo | | 1 | | | | | | | | |
| 12 | Z203007 | Casquillo | | 2 | | | | | | | | |
| 13 | Q041324 | Tornillo avellanado M-4x25 | | 2 | | | | | | | | |
| 14 | 3699200 | Conducto tensoactivo Ø6xØ4x650 | | 1 | | | | | | | | |
| 15 | Z701152 | Peso filtro | | 1 | | | | | | | | |
| 16 | Z601153 | Filtro aspiracion tensoactivo | | 1 | | | | | | | | |
| 17 | Q012031 | Tornillo exagonal M-5x10 | | 2 | | | | | | | | |
| 18 | Q232030 | Arandela plana A-5 | | 2 | | | | | | | | |
| 19 | Q307048 | Junta torica Ø16,18xØ9,12xØ3,53 | | 1 | | | | | | | | |
| 20 | Q012063 | Tornillo exagonal M-10x20 | | 1 | | | | | | | | |
| 21 | Z201710 | Cuerpo calderin | | 1 | | | | | | | | |
| 22 | Z601157 | Toma presion | | 1 | | | | | | | | |
| 23 | Z701135 | Electrovalvula entrada de agua | | 1 | | | | | | | | |
| 24 | Q152024 | Tornillo avellanado M-4x8 | | 2 | | | | | | | | |
| 25 | Z701132 | Filtro junta | | 1 | | | | | | | | |
| 26 | Q232030 | Arandela plana A-5 | | 2 | | | | | | | | |
| 27 | Q012031 | Tornillo exagonal M-5x10 | | 2 | | | | | | | | |
| 28 | Z201101 | Escuadra amarre electrovalvula | | 1 | | | | | | | | |
| 29 | Z602121 | Manguera entrada de agua | | 1 | | | | | | | | |

| | | | | | |
|------|-----------------------------|------|---------------------------------|-------|---------------|
| MOD. | LAVAVAJILLAS FRONTAL | ZONA | PARTE FUNCIONAL ACLARADO | PLANO | C-1370 |
|------|-----------------------------|------|---------------------------------|-------|---------------|

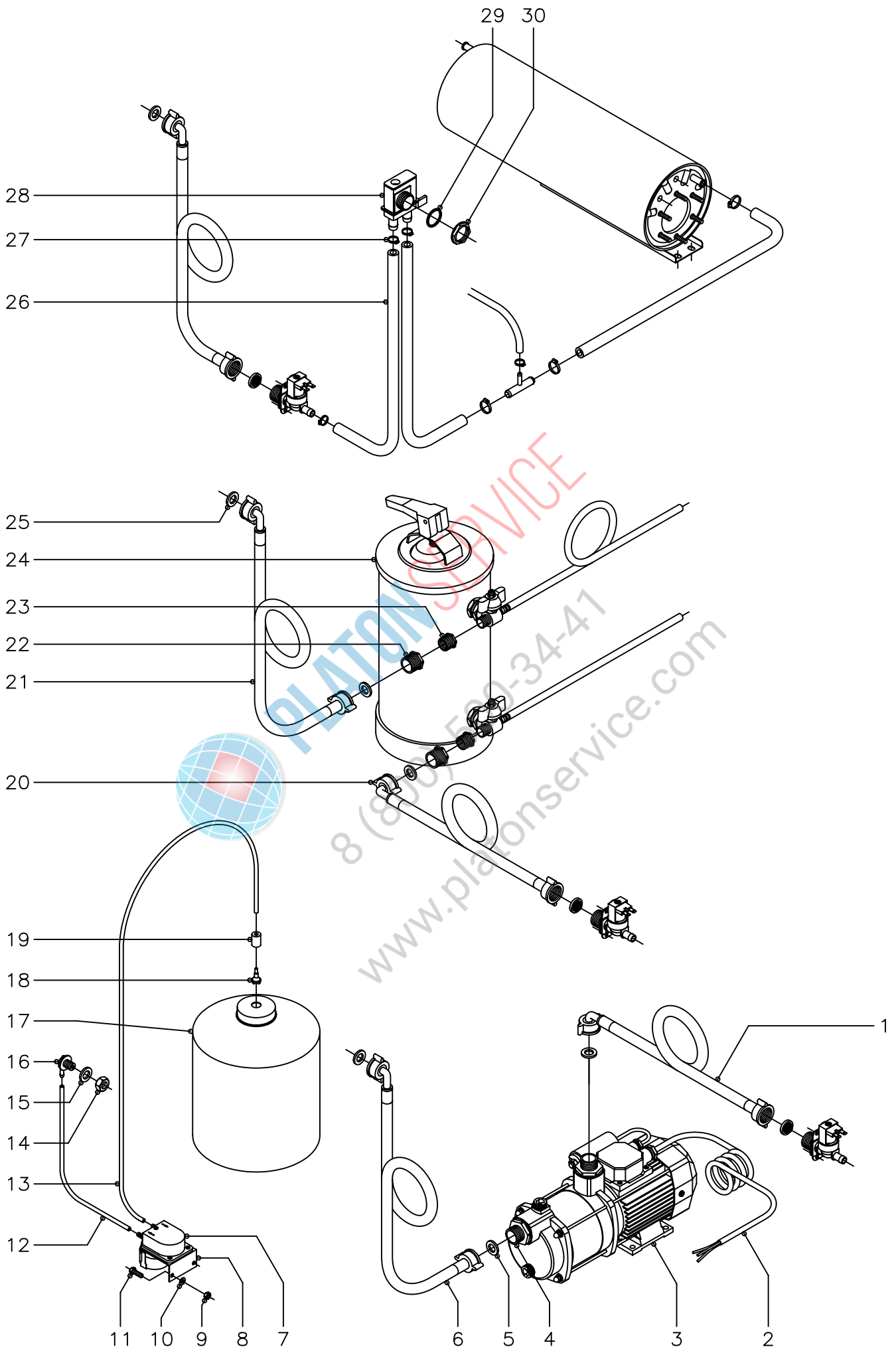
| ITEM | CODIGO | DENOMINACION | TEXTO | FI-30 | | | | | | | | NOTAS |
|------|---------|-----------------------|-------|-------|--|--|--|--|--|--|--|-------|
| 30 | Q307031 | Arandela junta | | 1 | | | | | | | | |
| 31 | R722631 | Fijacion conducciones | | 1 | | | | | | | | |
| | Q162040 | Tuerca exagonal M-6 | | 1 | | | | | | | | |
| | | | | | | | | | | | | |
| | | | | | | | | | | | | |
| | | | | | | | | | | | | |
| | | | | | | | | | | | | |
| | | | | | | | | | | | | |
| | | | | | | | | | | | | |
| | | | | | | | | | | | | |
| | | | | | | | | | | | | |
| | | | | | | | | | | | | |
| | | | | | | | | | | | | |
| | | | | | | | | | | | | |
| | | | | | | | | | | | | |
| | | | | | | | | | | | | |
| | | | | | | | | | | | | |
| | | | | | | | | | | | | |
| | | | | | | | | | | | | |
| | | | | | | | | | | | | |
| | | | | | | | | | | | | |
| | | | | | | | | | | | | |



| | | | | | |
|-------------------|--|-----------------|--|-------------|--|
| N plano C-1371 | Firma  | Fecha 6-2003 | Aparato PARTE FUNCIONAL ELECTRICA LAVAVAJILLAS FI-30 | Lamina 6 | Fagor Industrial S.Coop. FAGOR Oñate |
|-------------------|--|-----------------|--|-------------|--|

| MOD. | | LAVAVAJILLAS FRONTAL | | ZONA | PARTE FUNCIONAL ELECTRICA | | | | | PLANO | C-1371 | |
|------|---------|-----------------------------------|-------|-------|---------------------------|--|--|--|--|-------|--------|-------|
| ITEM | CODIGO | DENOMINACION | TEXTO | FI-30 | | | | | | | | NOTAS |
| 1 | R663062 | Boton de mando completo | | 1 | | | | | | | | |
| 2 | R693056 | Piloto ambar | | 1 | | | | | | | | |
| 3 | Z202907 | Frente extraible | | 1 | | | | | | | | |
| 4 | Z202909 | Embellecedor adhesivo | | 1 | | | | | | | | |
| 5 | R693055 | Piloto verde | | 1 | | | | | | | | |
| 6 | Z203033 | Interruptor general | | 1 | | | | | | | | |
| 7 | Q152004 | Tornillo aplastado M-5x13 | | 2 | | | | | | | | |
| 8 | Z203601 | Resistencia tanque 2800 W. 230V. | | 1 | | | | | | | | |
| 9 | Q162040 | Tuerca exagonal M-6 | | 1 | | | | | | | | |
| 10 | Q232040 | Arandela plana A-6 | | 1 | | | | | | | | |
| 11 | Z603602 | Soporte resistencia tanque | | 1 | | | | | | | | |
| 12 | Z651731 | Caperuza resistencia calderin | | 1 | | | | | | | | |
| 13 | Q163140 | Tuerca exagonal M-6 | | 2 | | | | | | | | |
| 14 | Q262040 | Arandela muelle A-6 | | 2 | | | | | | | | |
| 15 | Q163140 | Tuerca exagonal M-6 | | 6 | | | | | | | | |
| 16 | Q262040 | Arandela muelle A-6 | | 6 | | | | | | | | |
| 17 | Q307035 | Junta torica AN-36 | | 1 | | | | | | | | |
| 18 | Z201706 | Resistencia calderin 2800 W.230V. | | 1 | | | | | | | | |
| 19 | Q012031 | Tornillo exagonal M-5x10 | | 2 | | | | | | | | |
| 20 | Q232030 | Arandela plana A-5 | | 2 | | | | | | | | |
| 21 | Z203047 | Soporte termostatos | | 1 | | | | | | | | |
| 22 | Q153111 | Tornillo alomado M-4x8 | | 2 | | | | | | | | |
| 23 | Q242020 | Arandela abanico A-4 | | 2 | | | | | | | | |
| 24 | Z203014 | Termostato calderin | | 1 | | | | | | | | |
| 25 | N503017 | Soporte termostato | | 1 | | | | | | | | |
| 26 | Z718405 | Termostato doble (tanque) | | 1 | | | | | | | | |
| 27 | Z203010 | Amarre interruptor magnetico | | 1 | | | | | | | | |
| 28 | Z203009 | Interruptor magnetico | | 1 | | | | | | | | |
| 29 | Z203011 | Camara presostato | | 1 | | | | | | | | |

| MOD. | | LAVAVAJILLAS FRONTAL | | | ZONA | PARTE FUNCIONAL ELECTRICA | | | | | PLANO | C-1371 |
|------|---------|--------------------------------------|-------|-------|------|---------------------------|--|--|--|--|-------|--------|
| ITEM | CODIGO | DENOMINACION | TEXTO | FI-30 | | | | | | | | NOTAS |
| 30 | Q307003 | Junta torica Ø16,01xØ10,77xØ2,62 | | 3 | | | | | | | | |
| 31 | Z203013 | Tornillo presostato | | 1 | | | | | | | | |
| 32 | P102154 | Brida elastica para tubo | | 2 | | | | | | | | |
| 33 | 3702400 | Tubo goma negra Ø8xØ4x1300 | | 1 | | | | | | | | |
| 34 | Z203012 | Empalme presostato | | 1 | | | | | | | | |
| 35 | Z203062 | Rele puerta 16 A., 230 V., 50/60 Hz. | | 1 | | | | | | | | |
| 36 | Z213007 | Contactador tanque 230V.,50/60 Hz. | | 1 | | | | | | | | |
| 37 | Z203050 | Contactador calderin 230V.,50/60 Hz. | | 1 | | | | | | | | |
| 38 | Z602923 | Soporte presostato | | 1 | | | | | | | | |
| | Q232030 | Arandela plana A-5 | | 1 | | | | | | | | |
| | Q162030 | Tuerca exagonal M-5 | | 1 | | | | | | | | |
| 39 | Z203020 | Retenedor de cable | | 1 | | | | | | | | |
| 40 | R253044 | Regleta de conexiones | | 1 | | | | | | | | |
| 41 | Z203023 | Presostato de nivel | | 1 | | | | | | | | |
| | Q082032 | Tornillo alomado BZ-3,5x9,5 | | 1 | | | | | | | | |
| 42 | Z203030 | Programador ciclo | | 1 | | | | | | | | |
| | Z203007 | Casquillo | | 2 | | | | | | | | |
| | Q041324 | Tornillo avellanado M-4x25 | | 2 | | | | | | | | |
| | | | | | | | | | | | | |
| | | | | | | | | | | | | |
| | | | | | | | | | | | | |
| | | | | | | | | | | | | |
| | | | | | | | | | | | | |
| | | | | | | | | | | | | |
| | | | | | | | | | | | | |
| | | | | | | | | | | | | |
| | | | | | | | | | | | | |
| | | | | | | | | | | | | |
| | | | | | | | | | | | | |
| | | | | | | | | | | | | |



N plano
C-1372

Firma
[Signature]

Fecha
6-2003

Aparato
ACCESORIOS LAVAVAJILLAS

Lamina
7

Fagor Industrial S.Coop. **FAGOR**
Onate

| MOD. | | LAVAVAJILLAS FRONTAL | | ZONA | ACCESORIOS PARA LAVAVAJILLAS | | | | PLANO | C-1372 | |
|--|---------|------------------------------------|-------|-------|------------------------------|--|--|--|-------|--------|-------|
| ITEM | CODIGO | DENOMINACION | TEXTO | FI-30 | | | | | | | NOTAS |
| 1210305187 KIT BOMBA PRESION | | | | | | | | | | | |
| 1 | - | Manguera de maquina | | 1 | | | | | | | |
| 2 | Z209510 | Cableado bomba de presion | | 1 | | | | | | | |
| 3 | Z209508 | Bomba de presion (230 V., 50 Hz.) | | 1 | | | | | | | |
| 3 | Z209508 | Bomba de presion (230 V., 60 Hz.) | | 1 | | | | | | | |
| 4 | Z209509 | Manguito | | 2 | | | | | | | |
| 5 | Q307031 | Junta manguera entrada agua | | 2 | | | | | | | |
| 6 | Z602121 | Manguera entrada de agua | | 1 | | | | | | | |
| 1210305188 KIT DOSIFICADOR DETERGENTE | | | | | | | | | | | |
| 7 | Z209521 | Dosificador de detergente | | 1 | | | | | | | |
| | Q082005 | Tornillo chapa 4,2x13 | | 2 | | | | | | | |
| 8 | Z209518 | Soporte dosificador de detergente | | 1 | | | | | | | |
| 9 | Q162030 | Tuerca exagonal M-5 | | 2 | | | | | | | |
| 10 | Q232030 | Arandela plana A-5 | | 2 | | | | | | | |
| 11 | Q012031 | Tornillo exagonal M-5x10 | | 2 | | | | | | | |
| 12 | 3699200 | Conducto detergente Ø6xØ4x500 | | 1 | | | | | | | |
| 13 | 3699200 | Conducto detergente Ø6xØ4x2000 | | 1 | | | | | | | |
| 14 | Q162070 | Tuerca exagonal M-12 | | 1 | | | | | | | |
| 15 | Q307031 | Arandela junta Ø24xØ14x3 | | 1 | | | | | | | |
| 16 | Z230902 | Pasamuros detergente | | 1 | | | | | | | |
| 17 | - | Garrafa detergente | | 1 | | | | | | | |
| 18 | Z601153 | Filtro aspiracion | | 1 | | | | | | | |
| 19 | Z701152 | Peso filtro | | 1 | | | | | | | |
| | | | | | | | | | | | |
| | | | | | | | | | | | |
| | | | | | | | | | | | |
| | | | | | | | | | | | |
| | | | | | | | | | | | |

| MOD. | | LAVAVAJILLAS FRONTAL | | ZONA | ACCESORIOS PARA LAVAVAJILLAS | | | | | PLANO | C-1372 | |
|--|---------|------------------------------|-------|-------|------------------------------|--|--|--|--|-------|--------|-------|
| ITEM | CODIGO | DENOMINACION | TEXTO | FI-30 | | | | | | | | NOTAS |
| 1210305191 KIT DESCALCIFICADOR 8l. | | | | | | | | | | | | |
| 20 | - | Manguera de maquina | | - | | | | | | | | |
| 21 | Z602121 | Manguera entrada de agua | | 1 | | | | | | | | |
| 22 | Z209515 | Tuerca reduccion 3/4" - 1/2" | | 2 | | | | | | | | |
| 23 | Z209516 | Tuerca reduccion 1/2" - 3/8" | | 2 | | | | | | | | |
| 24 | Z209511 | Descalcificador 8l. | | 1 | | | | | | | | |
| 25 | Q307031 | Junta manguera entrada agua | | 2 | | | | | | | | |
| 1210305186 KIT DESCALCIFICADOR 12l. | | | | | | | | | | | | |
| 20 | - | Manguera de maquina | | - | | | | | | | | |
| 21 | Z602121 | Manguera entrada de agua | | 1 | | | | | | | | |
| 22 | Z209515 | Tuerca reduccion 3/4" - 1/2" | | 2 | | | | | | | | |
| 23 | Z209516 | Tuerca reduccion 1/2" - 3/8" | | 2 | | | | | | | | |
| 24 | Z209507 | Descalcificador 12l. | | 1 | | | | | | | | |
| 25 | Q307031 | Junta manguera entrada agua | | 2 | | | | | | | | |
| 1210305192 KIT DESCALCIFICADOR 16l. | | | | | | | | | | | | |
| 20 | - | Manguera de maquina | | - | | | | | | | | |
| 21 | Z602121 | Manguera entrada de agua | | 1 | | | | | | | | |
| 22 | Z209515 | Tuerca reduccion 3/4" - 1/2" | | 2 | | | | | | | | |
| 23 | Z209516 | Tuerca reduccion 1/2" - 3/8" | | 2 | | | | | | | | |
| 24 | Z209512 | Descalcificador 16l. | | 1 | | | | | | | | |
| 25 | Q307031 | Junta manguera entrada agua | | 2 | | | | | | | | |
| | | | | | | | | | | | | |
| | | | | | | | | | | | | |
| | | | | | | | | | | | | |
| | | | | | | | | | | | | |
| | | | | | | | | | | | | |
| | | | | | | | | | | | | |

| | | | | | |
|------|-----------------------------|------|---------------|-------|--|
| MOD. | LAVAVAJILLAS FRONTAL | ZONA | VARIOS | PLANO | |
|------|-----------------------------|------|---------------|-------|--|

| ITEM | CODIGO | DENOMINACION | TEXTO | FI-30 | | | | | | | | | NOTAS |
|------|---------|------------------------------|-------|-------|--|--|--|--|--|--|--|--|----------------------|
| | Z206131 | Folleto de instrucciones | | 1 | | | | | | | | | |
| | Z203032 | Esquema electrico adhesivo | | 1 | | | | | | | | | (Plano HC-16498-3) |
| | Z203051 | Esquema electrico de montaje | | 1 | | | | | | | | | (Plano HC-17262-1) |
| | Z603041 | Cable de alimentacion | | 1 | | | | | | | | | |
| | Z203025 | Instalacion electrica | | 1 | | | | | | | | | |
| | | | | | | | | | | | | | |
| | | | | | | | | | | | | | |
| | | | | | | | | | | | | | |
| | | | | | | | | | | | | | |
| | | | | | | | | | | | | | |
| | | | | | | | | | | | | | |
| | | | | | | | | | | | | | |
| | | | | | | | | | | | | | |
| | | | | | | | | | | | | | |
| | | | | | | | | | | | | | |
| | | | | | | | | | | | | | |
| | | | | | | | | | | | | | |
| | | | | | | | | | | | | | |
| | | | | | | | | | | | | | |
| | | | | | | | | | | | | | |
| | | | | | | | | | | | | | |
| | | | | | | | | | | | | | |
| | | | | | | | | | | | | | |
| | | | | | | | | | | | | | |
| | | | | | | | | | | | | | |
| | | | | | | | | | | | | | |
| | | | | | | | | | | | | | |
| | | | | | | | | | | | | | |
| | | | | | | | | | | | | | |
| | | | | | | | | | | | | | |
| | | | | | | | | | | | | | |
| | | | | | | | | | | | | | |
| | | | | | | | | | | | | | |
| | | | | | | | | | | | | | |
| | | | | | | | | | | | | | |
| | | | | | | | | | | | | | |
| | | | | | | | | | | | | | |

MOD.

LAVAVAJILLAS FRONTAL

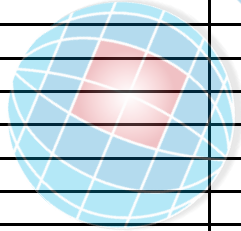
ZONA

PIEZAS ESPECIFICAS PARA LA VERSION
(220/240 V., II , 60Hz.)

PLANO

C-1368

| ITEM | CODIGO | DENOMINACION | TEXTO | FI-30 | | | | | | | | | NOTAS |
|------|---------|------------------------------|-------|-------|--|--|--|--|--|--|--|--|-------|
| 5 | Z203511 | Bomba de lavado 230V., 60Hz. | | 1 | | | | | | | | | |
| | | | | | | | | | | | | | |
| | | | | | | | | | | | | | |
| | | | | | | | | | | | | | |
| | | | | | | | | | | | | | |
| | | | | | | | | | | | | | |
| | | | | | | | | | | | | | |
| | | | | | | | | | | | | | |
| | | | | | | | | | | | | | |
| | | | | | | | | | | | | | |
| | | | | | | | | | | | | | |
| | | | | | | | | | | | | | |
| | | | | | | | | | | | | | |
| | | | | | | | | | | | | | |
| | | | | | | | | | | | | | |
| | | | | | | | | | | | | | |
| | | | | | | | | | | | | | |
| | | | | | | | | | | | | | |
| | | | | | | | | | | | | | |
| | | | | | | | | | | | | | |



PLATON SERVICE
 8 (800) 500-3447
 www.platonservice.com

| MOD. LAVAVAJILLAS FRONTAL AZKOYEN | | ZONA PIEZAS ESPECIFICAS (AZKOYEN) | | | | PLANO | | | | | | | | | | |
|-----------------------------------|---------|--------------------------------------|-------|--------------------|--|-------|--|--|--|--|--|--|--|--|--|-------|
| ITEM | CODIGO | DENOMINACION | TEXTO | A-320 (FI-30) | | | | | | | | | | | | NOTAS |
| | Z218612 | Adhesivo panel Azkoyen | | 1 | | | | | | | | | | | | |
| | Z208604 | Embellecedor adhesivo portamandos | | 1 | | | | | | | | | | | | |
| | Z658813 | Boton de mando con anillo comp. | | 1 | | | | | | | | | | | | |
| | Z658607 | Indicador de mando | | 1 | | | | | | | | | | | | |
| | Z658602 | Asa puerta | | 1 | | | | | | | | | | | | |
| | Z208603 | Adhesivo puerta | | 1 | | | | | | | | | | | | |
| | Z208608 | Libro de instrucciones | | 1 | | | | | | | | | | | | |
| | Z208610 | Hoja garantia Azkoyen | | 1 | | | | | | | | | | | | |
| | Z658609 | Palet Azkoyen | | 1 | | | | | | | | | | | | |
| | Z448616 | Pegatina toma detergente | | 1 | | | | | | | | | | | | |
| | Z230902 | Pasamuros detergente | | 1 | | | | | | | | | | | | |
| | Q306024 | Arandela junta Ø18xØ12,5x1,5 | | 1 | | | | | | | | | | | | |
| | Q162070 | Tuerca exagonal M-12 | | 1 | | | | | | | | | | | | |
| | Z448613 | Cable dosificador Azkoyen | | 1 | | | | | | | | | | | | |
| | Z448614 | Conducto aspiracion c/filtro Azkoyen | | 1 | | | | | | | | | | | | |
| | | | | | | | | | | | | | | | | |
| | | | | | | | | | | | | | | | | |
| | | | | | | | | | | | | | | | | |
| | | | | | | | | | | | | | | | | |
| | | | | | | | | | | | | | | | | |
| | | | | | | | | | | | | | | | | |
| | | | | | | | | | | | | | | | | |
| | | | | | | | | | | | | | | | | |
| | | | | | | | | | | | | | | | | |
| | | | | | | | | | | | | | | | | |
| | | | | | | | | | | | | | | | | |
| | | | | | | | | | | | | | | | | |
| | | | | | | | | | | | | | | | | |
| | | | | | | | | | | | | | | | | |
| | | | | | | | | | | | | | | | | |
| | | | | | | | | | | | | | | | | |
| | | | | | | | | | | | | | | | | |
| | | | | | | | | | | | | | | | | |
| | | | | | | | | | | | | | | | | |
| | | | | | | | | | | | | | | | | |
| | | | | | | | | | | | | | | | | |
| | | | | | | | | | | | | | | | | |
| | | | | | | | | | | | | | | | | |
| | | | | | | | | | | | | | | | | |
| | | | | | | | | | | | | | | | | |
| | | | | | | | | | | | | | | | | |
| | | | | | | | | | | | | | | | | |
| | | | | | | | | | | | | | | | | |
| | | | | | | | | | | | | | | | | |
| | | | | | | | | | | | | | | | | |
| | | | | | | | | | | | | | | | | |
| | | | | | | | | | | | | | | | | |

| MOD. | | LAVAVAJILLAS FRONTAL AZKOYEN | | ZONA | PIEZAS ESPECIFICAS (AZKOYEN) | | | | | PLANO | |
|------|---------|--------------------------------------|-------|----------------------|--------------------------------|--|--|--|--|-------|-------|
| ITEM | CODIGO | DENOMINACION | TEXTO | A-320-B (FI-30) | | | | | | | NOTAS |
| | Z228812 | Panel frontal B Azkoyen | | 1 | | | | | | | |
| | Z228813 | Adhesivo panel B | | 1 | | | | | | | |
| | Z448616 | Pegatina toma detergente | | 1 | | | | | | | |
| | Z230902 | Pasamuros detergente | | 1 | | | | | | | |
| | Z448613 | Cable dosificador Azkoyen | | 1 | | | | | | | |
| | Z448614 | Conducto aspiracion c/filtro Azkoyen | | 1 | | | | | | | |
| | Z208801 | Frente extraible | | 1 | | | | | | | |
| | Z208802 | Embelledor adhesivo | | 1 | | | | | | | |
| | R693056 | Piloto ambar | | 1 | | | | | | | |
| | Z223001 | Conmutador de funciones | | 1 | | | | | | | |
| | Z203007 | Casquillo | | 2 | | | | | | | |
| | Q041324 | Tornillo avellanado M-4x25 | | 2 | | | | | | | |
| | Z223005 | Presostato simple | | 1 | | | | | | | |
| | Z103077 | Racord en "Y" presostatos | | 1 | | | | | | | |
| | Z658813 | Boton de mando con anillo comp. | | 1 | | | | | | | |
| | Z658607 | Indicador de mando | | 1 | | | | | | | |
| | Z658602 | Asa puerta | | 1 | | | | | | | |
| | Z208603 | Adhesivo puerta | | 1 | | | | | | | |
| | Z208608 | Libro de instrucciones | | 1 | | | | | | | |
| | Z208610 | Hoja garantia Azkoyen | | 1 | | | | | | | |
| | Z658609 | Palet Azkoyen | | 1 | | | | | | | |
| | Z220901 | Bomba de desagüe | | 1 | | | | | | | |
| | Z220904 | Soporte bomba de desagüe | | 1 | | | | | | | |
| | Q012031 | Tornillo exagonal M-5x10 | | 4 | | | | | | | |
| | Q242030 | Arandela abanico A-5 | | 4 | | | | | | | |
| | Q232030 | Arandela plana A-5 | | 4 | | | | | | | |
| | Z220902 | Acumulador | | 1 | | | | | | | |
| | Z220903 | Manguera de desagüe | | 1 | | | | | | | |
| | Q881305 | Abrazadera 25 - 40 | | 2 | | | | | | | |

| MOD. | | LAVAVAJILLAS FRONTAL AZKOYEN | | ZONA | | PIEZAS ESPECIFICAS (AZKOYEN) | | | | PLANO | |
|------|---------|---------------------------------|-------|----------------------|--|--------------------------------|--|--|--|-------|----------------|
| ITEM | CODIGO | DENOMINACION | TEXTO | A-320-B (FI-30) | | | | | | | NOTAS |
| | Z230902 | Pasamuros | | 1 | | | | | | | |
| | Q306024 | Arandela junta Ø18xØ12,5x1,5 | | 1 | | | | | | | |
| | Q162070 | Tuerca exagonal M-12 | | 1 | | | | | | | |
| | 3702400 | Tubo goma negra Ø8x4x230 | | 1 | | | | | | | |
| | P102154 | Brida elastica | | 2 | | | | | | | |
| | Z208803 | Cableado auxiliar bomba desagüe | | 1 | | | | | | | |
| | Z208807 | Esquema electrico adhesivo | | 1 | | | | | | | Plano HC-16504 |
| | Z208808 | Esquema electrico de montaje | | 1 | | | | | | | Plano HC-17264 |
| | | | | | | | | | | | |
| | | | | | | | | | | | |
| | | | | | | | | | | | |
| | | | | | | | | | | | |
| | | | | | | | | | | | |
| | | | | | | | | | | | |
| | | | | | | | | | | | |
| | | | | | | | | | | | |
| | | | | | | | | | | | |
| | | | | | | | | | | | |
| | | | | | | | | | | | |
| | | | | | | | | | | | |
| | | | | | | | | | | | |
| | | | | | | | | | | | |
| | | | | | | | | | | | |
| | | | | | | | | | | | |
| | | | | | | | | | | | |
| | | | | | | | | | | | |

| MOD. LAVAVAJILLAS FRONTAL GAGGIA | | ZONA | | | PIEZAS ESPECIFICAS (GAGGIA) | | | | | | | PLANO | | |
|----------------------------------|---------|----------------------------------|-------|--------------------|-------------------------------|--|--|--|--|--|--|-------|--|-------|
| ITEM | CODIGO | DENOMINACION | TEXTO | GX14C (FI-30) | | | | | | | | | | NOTAS |
| | Z204601 | Embellecedor adhesivo | | 1 | | | | | | | | | | |
| | Z658813 | Boton de mando con anillo compr. | | 1 | | | | | | | | | | |
| | Z658607 | Indicador de mando | | 1 | | | | | | | | | | |
| | Z200539 | Asa puerta | | 1 | | | | | | | | | | |
| | Q012042 | Tornillo exagonal M-6x15 | | 2 | | | | | | | | | | |
| | Q162040 | Tuerca exagonal M-6 | | 2 | | | | | | | | | | |
| | | | | | | | | | | | | | | |
| | | | | | | | | | | | | | | |
| | | | | | | | | | | | | | | |
| | | | | | | | | | | | | | | |
| | | | | | | | | | | | | | | |
| | | | | | | | | | | | | | | |
| | | | | | | | | | | | | | | |
| | | | | | | | | | | | | | | |
| | | | | | | | | | | | | | | |
| | | | | | | | | | | | | | | |
| | | | | | | | | | | | | | | |
| | | | | | | | | | | | | | | |
| | | | | | | | | | | | | | | |
| | | | | | | | | | | | | | | |
| | | | | | | | | | | | | | | |
| | | | | | | | | | | | | | | |
| | | | | | | | | | | | | | | |
| | | | | | | | | | | | | | | |
| | | | | | | | | | | | | | | |
| | | | | | | | | | | | | | | |
| | | | | | | | | | | | | | | |
| | | | | | | | | | | | | | | |
| | | | | | | | | | | | | | | |
| | | | | | | | | | | | | | | |
| | | | | | | | | | | | | | | |
| | | | | | | | | | | | | | | |
| | | | | | | | | | | | | | | |

| MOD. | LAVAVAJILLAS FRONTAL FUTURMAT | | ZONA | PIEZAS ESPECIFICAS (FUTURMAT) | | | | | | | PLANO | |
|------|-------------------------------|----------------------------------|-------|---------------------------------|--|--|--|--|--|--|-------|-------|
| ITEM | CODIGO | DENOMINACION | TEXTO | FV34C (FI-30) | | | | | | | | NOTAS |
| | Z204501 | Embellecedor adhesivo | | 1 | | | | | | | | |
| | Z204504 | Boton de mando con anillo compr. | | 1 | | | | | | | | |
| | Z604505 | Indicador de mando | | 1 | | | | | | | | |
| | Z200539 | Asa puerta | | 1 | | | | | | | | |
| | Q012042 | Tornillo exagonal M-6x15 | | 2 | | | | | | | | |
| | Q162040 | Tuerca exagonal M-6 | | 2 | | | | | | | | |
| | | | | | | | | | | | | |
| | | | | | | | | | | | | |
| | | | | | | | | | | | | |
| | | | | | | | | | | | | |
| | | | | | | | | | | | | |
| | | | | | | | | | | | | |
| | | | | | | | | | | | | |
| | | | | | | | | | | | | |
| | | | | | | | | | | | | |
| | | | | | | | | | | | | |
| | | | | | | | | | | | | |
| | | | | | | | | | | | | |
| | | | | | | | | | | | | |
| | | | | | | | | | | | | |
| | | | | | | | | | | | | |
| | | | | | | | | | | | | |
| | | | | | | | | | | | | |
| | | | | | | | | | | | | |
| | | | | | | | | | | | | |
| | | | | | | | | | | | | |
| | | | | | | | | | | | | |

| MOD. LAVAVAJILLAS FRONTAL ITALCREM | | | ZONA | PIEZAS ESPECIFICAS (ITALCREM) | | | | | | | | PLANO | |
|------------------------------------|---------|----------------------------------|-------|---------------------------------|--|--|--|--|--|--|--|-------|-------|
| ITEM | CODIGO | DENOMINACION | TEXTO | LP300C (FI-30) | | | | | | | | | NOTAS |
| | Z204701 | Embellecedor adhesivo | | 1 | | | | | | | | | |
| | Z204504 | Boton de mando con anillo compr. | | 1 | | | | | | | | | |
| | Z608704 | Indicador de mando | | 1 | | | | | | | | | |
| | Z200539 | Asa puerta | | 1 | | | | | | | | | |
| | Q012042 | Tornillo exagonal M-6x15 | | 2 | | | | | | | | | |
| | Q162040 | Tuerca exagonal M-6 | | 2 | | | | | | | | | |
| | | | | | | | | | | | | | |
| | | | | | | | | | | | | | |
| | | | | | | | | | | | | | |
| | | | | | | | | | | | | | |
| | | | | | | | | | | | | | |
| | | | | | | | | | | | | | |
| | | | | | | | | | | | | | |
| | | | | | | | | | | | | | |
| | | | | | | | | | | | | | |
| | | | | | | | | | | | | | |
| | | | | | | | | | | | | | |
| | | | | | | | | | | | | | |
| | | | | | | | | | | | | | |
| | | | | | | | | | | | | | |
| | | | | | | | | | | | | | |
| | | | | | | | | | | | | | |
| | | | | | | | | | | | | | |
| | | | | | | | | | | | | | |
| | | | | | | | | | | | | | |
| | | | | | | | | | | | | | |
| | | | | | | | | | | | | | |
| | | | | | | | | | | | | | |
| | | | | | | | | | | | | | |
| | | | | | | | | | | | | | |
| | | | | | | | | | | | | | |
| | | | | | | | | | | | | | |
| | | | | | | | | | | | | | |
| | | | | | | | | | | | | | |
| | | | | | | | | | | | | | |
| | | | | | | | | | | | | | |

| | | | | | |
|------|------------------------------|------|--------------------------------|-------|--|
| MOD. | LAVAVAJILLAS FRONTAL MAIRALI | ZONA | PIEZAS ESPECIFICAS (MAIRALI) | PLANO | |
|------|------------------------------|------|--------------------------------|-------|--|

| ITEM | CODIGO | DENOMINACION | TEXTO | RP14C (FI-30) | | | | | | | | | NOTAS |
|------|---------|----------------------------------|-------|--------------------|--|--|--|--|--|--|--|--|-------|
| | Z204801 | Embellecedor adhesivo | | 1 | | | | | | | | | |
| | R340043 | Boton de mando con anillo compr. | | 1 | | | | | | | | | |
| | Z658607 | Indicador de mando | | 1 | | | | | | | | | |
| | Z200539 | Asa puerta | | 1 | | | | | | | | | |
| | Q012042 | Tornillo exagonal M-6x15 | | 2 | | | | | | | | | |
| | Q162040 | Tuerca exagonal M-6 | | 2 | | | | | | | | | |
| | | | | | | | | | | | | | |
| | | | | | | | | | | | | | |
| | | | | | | | | | | | | | |
| | | | | | | | | | | | | | |
| | | | | | | | | | | | | | |
| | | | | | | | | | | | | | |
| | | | | | | | | | | | | | |
| | | | | | | | | | | | | | |
| | | | | | | | | | | | | | |
| | | | | | | | | | | | | | |
| | | | | | | | | | | | | | |
| | | | | | | | | | | | | | |
| | | | | | | | | | | | | | |
| | | | | | | | | | | | | | |
| | | | | | | | | | | | | | |
| | | | | | | | | | | | | | |
| | | | | | | | | | | | | | |
| | | | | | | | | | | | | | |
| | | | | | | | | | | | | | |
| | | | | | | | | | | | | | |

| | | | | | |
|-------------|------------------------------------|-------------|--------------------------------------|--------------|----------------------|
| MOD. | LAVAVAJILLAS FRONTAL CORECO | ZONA | PIEZAS ESPECIFICAS (CORECO) | PLANO | <input type="text"/> |
|-------------|------------------------------------|-------------|--------------------------------------|--------------|----------------------|

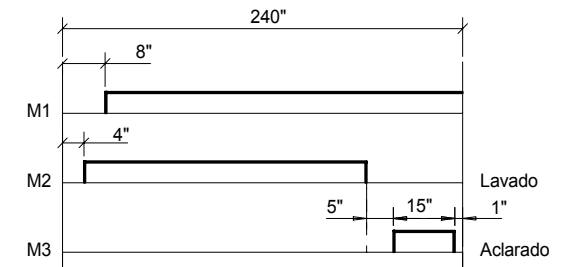
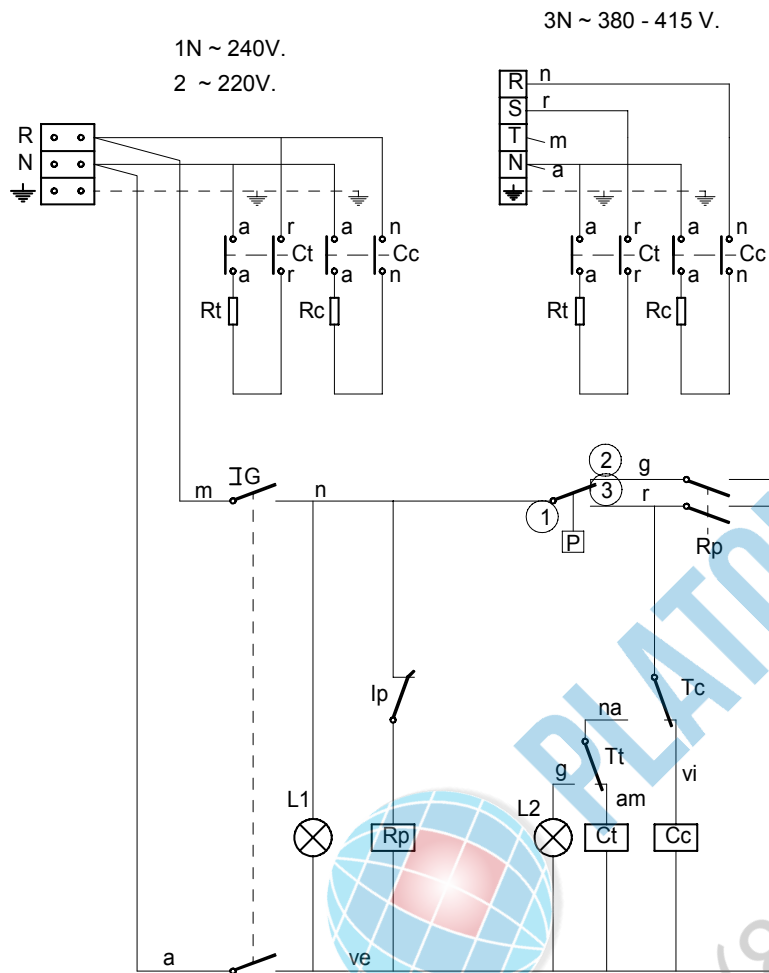
| ITEM | CODIGO | DENOMINACION | TEXTO | CLV-30 (FI-30) | | | | | | | | NOTAS |
|-------------|---------------|-----------------------|--------------|-----------------------------|--|--|--|--|--|--|--|--------------|
| | Z208101 | Embellecedor adhesivo | | 1 | | | | | | | | |
| | | | | | | | | | | | | |
| | | | | | | | | | | | | |
| | | | | | | | | | | | | |
| | | | | | | | | | | | | |
| | | | | | | | | | | | | |
| | | | | | | | | | | | | |
| | | | | | | | | | | | | |
| | | | | | | | | | | | | |
| | | | | | | | | | | | | |
| | | | | | | | | | | | | |
| | | | | | | | | | | | | |
| | | | | | | | | | | | | |
| | | | | | | | | | | | | |
| | | | | | | | | | | | | |
| | | | | | | | | | | | | |
| | | | | | | | | | | | | |
| | | | | | | | | | | | | |
| | | | | | | | | | | | | |
| | | | | | | | | | | | | |
| | | | | | | | | | | | | |
| | | | | | | | | | | | | |
| | | | | | | | | | | | | |
| | | | | | | | | | | | | |
| | | | | | | | | | | | | |
| | | | | | | | | | | | | |

MOD. LAVAVAJILLAS FRONTAL

ZONA PIEZAS ESPECIFICAS FI-30T (220 V., II , 60Hz.)

PLANO

| ITEM | CODIGO | DENOMINACION | TEXTO | FI-30T (FI-30) | | | | | | | | | | NOTAS |
|------|---------|--------------------------|-------|---------------------|--|--|--|--|--|--|--|--|--|-------|
| | Z208301 | Embellecedor adhesivo | | 1 | | | | | | | | | | |
| | Z208302 | Programador ciclo | | 1 | | | | | | | | | | |
| | Z203511 | Bomba de lavado 60 Hz. | | 1 | | | | | | | | | | |
| | Z208311 | Folleto de instrucciones | | 1 | | | | | | | | | | |
| | | | | | | | | | | | | | | |
| | | | | | | | | | | | | | | |
| | | | | | | | | | | | | | | |
| | | | | | | | | | | | | | | |
| | | | | | | | | | | | | | | |
| | | | | | | | | | | | | | | |
| | | | | | | | | | | | | | | |
| | | | | | | | | | | | | | | |
| | | | | | | | | | | | | | | |
| | | | | | | | | | | | | | | |
| | | | | | | | | | | | | | | |
| | | | | | | | | | | | | | | |
| | | | | | | | | | | | | | | |
| | | | | | | | | | | | | | | |
| | | | | | | | | | | | | | | |
| | | | | | | | | | | | | | | |
| | | | | | | | | | | | | | | |
| | | | | | | | | | | | | | | |
| | | | | | | | | | | | | | | |
| | | | | | | | | | | | | | | |



CODIGO DE COLORES:

- r = rojo-red-rouge
- m = marron-brown-marron
- g = gris-grey-gris
- n = negro-black-noir
- a = azul-blue-bleu
- b = blanco-white-blanc
- vi = violeta-violette-violet
- am = amarillo-yellow-jaune
- na = naranja-orange-orange
- rs = rosa-rose-pink
- ve = verde-green-vert
- am/ve = amarillo verde-yellow green-jaune vert

- I_G = Interruptor General
- L1 = Lampara de marcha
- Ip = Micro de puerta
- Rp = Relé puerta
- P = Presostato
- Tc = Termostato calderin
- Tt = Termostato tanque
- Cc = Contactor calderin
- Ct = Contactor tanque
- L2 = Lampara máquina preparada
- Rc = Resistencia calderin
- Ds Det = Dosificador detergente (opcional)

- Rt = Resistencia tanque
- M = Motor programador
- M1 = Micro programador marcha
- M2 = Micro programador lavado
- M3 = Micro programador aclarado
- L3 = Lámpara de ciclo
- MBL = Motobomba lavado
- C = Condensador de motobomba
- V = Válvula de llenado y aclarado
- EB = Electrobomba de presión (opcional)

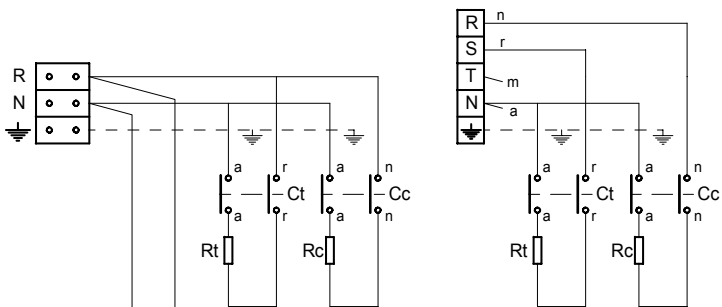
| Esquema teórico adhesivo | | Papel adhesivo | | Z-203032 | |
|--|---------------------------------|--|----------|--------------------------------------|--|
| Nº | Pieza | Cant. | Material | Nº Clasificación | Acabado |
| Nº | Modificación | Propuesta de | | Fecha | Tolerancias generales |
| ① | Introducir denominación FI-30 T | Palacio | | 20-4-98 | $5\pm$ 5-25± : > 100± 25-50± : $\infty\pm$ |
| ② | Introducir denominación KM - 30 | J.M.P. | | 22-7-99 | |
| ③ | Introducir modelo CORECO | Palacio | | 28-1-00 | |
| | | Firma | Fecha | Mecanizado superficial | |
| Dibujado | | S. N. | 27-9-95 | | |
| Proyectado | | | | | |
| Comprobado | | | | Fagor Industrial, Koop, Elk, Mugatua | |
| Escala | | <p style="text-align: center;">LAVAVAJILLAS</p> <p style="text-align: right;">Plano numero HC-16498 -3</p> | | | |
| | | | | | |
| <p style="text-align: right;">Sustituye al Nº</p> <p style="text-align: right;">Sustituido por</p> | | | | | |

Plano hau ez daitake erabili ez berrizta gure baimenitz gabe

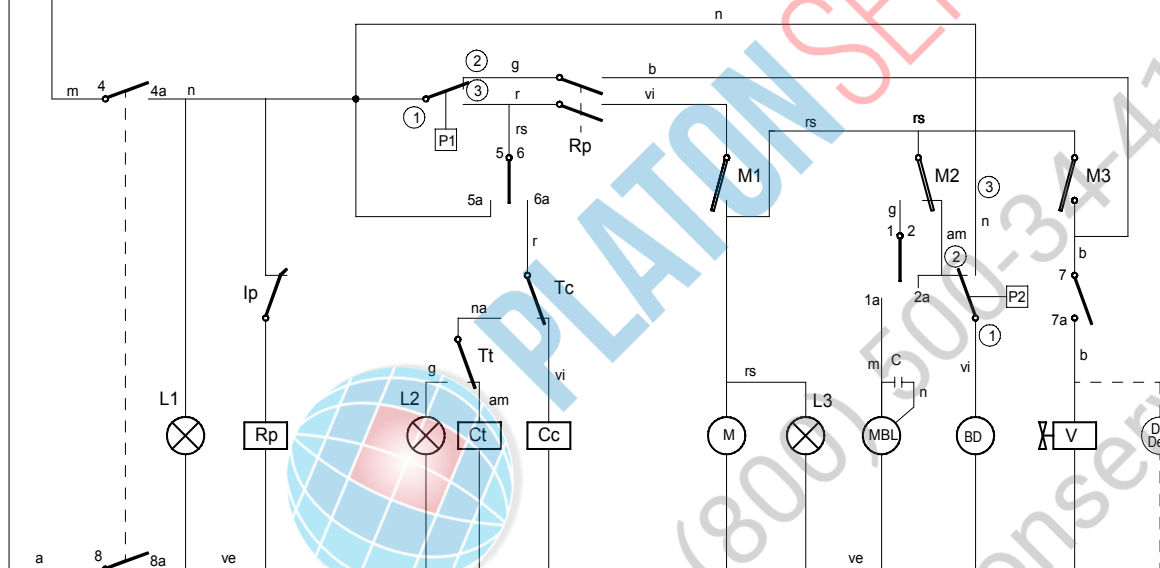
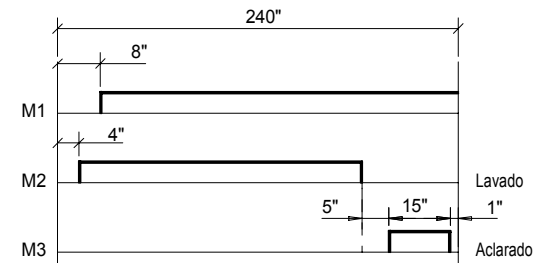
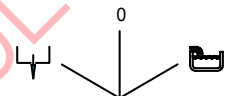
1N ~ 240V.
2 ~ 220V.

3N ~ 380 - 415 V.

Mod.: A 320 B

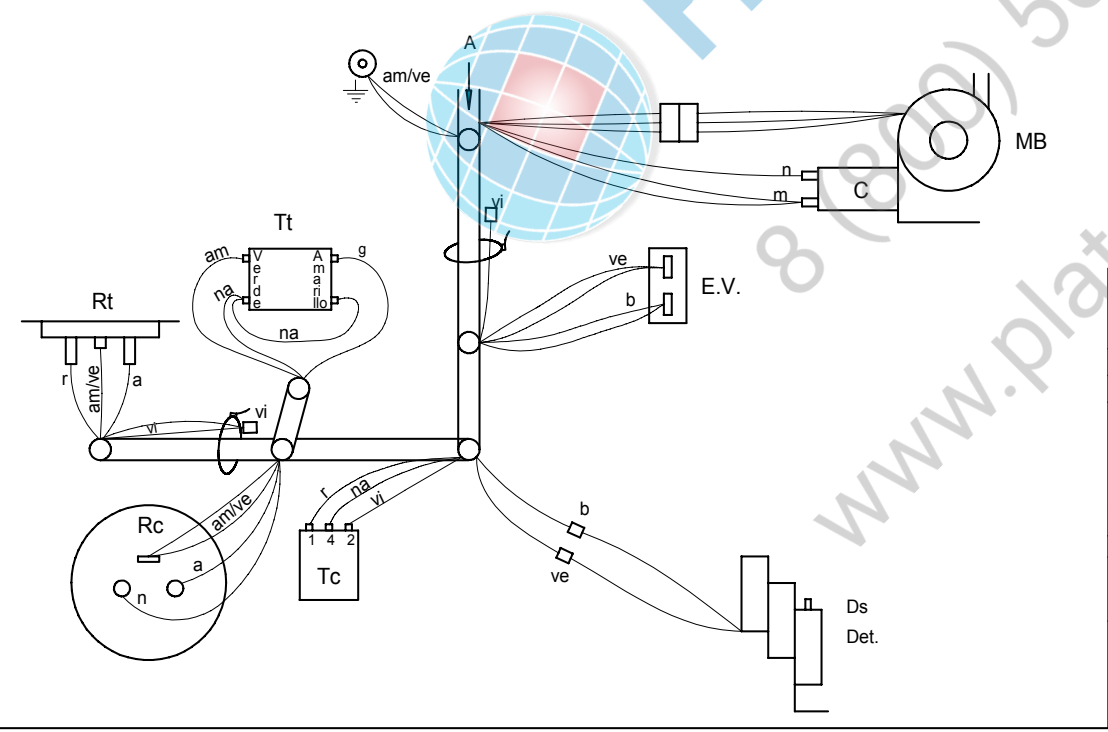
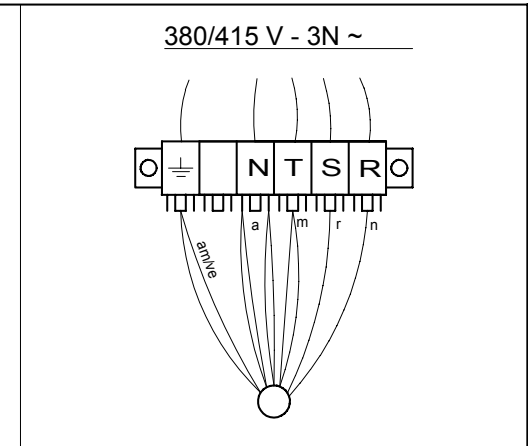
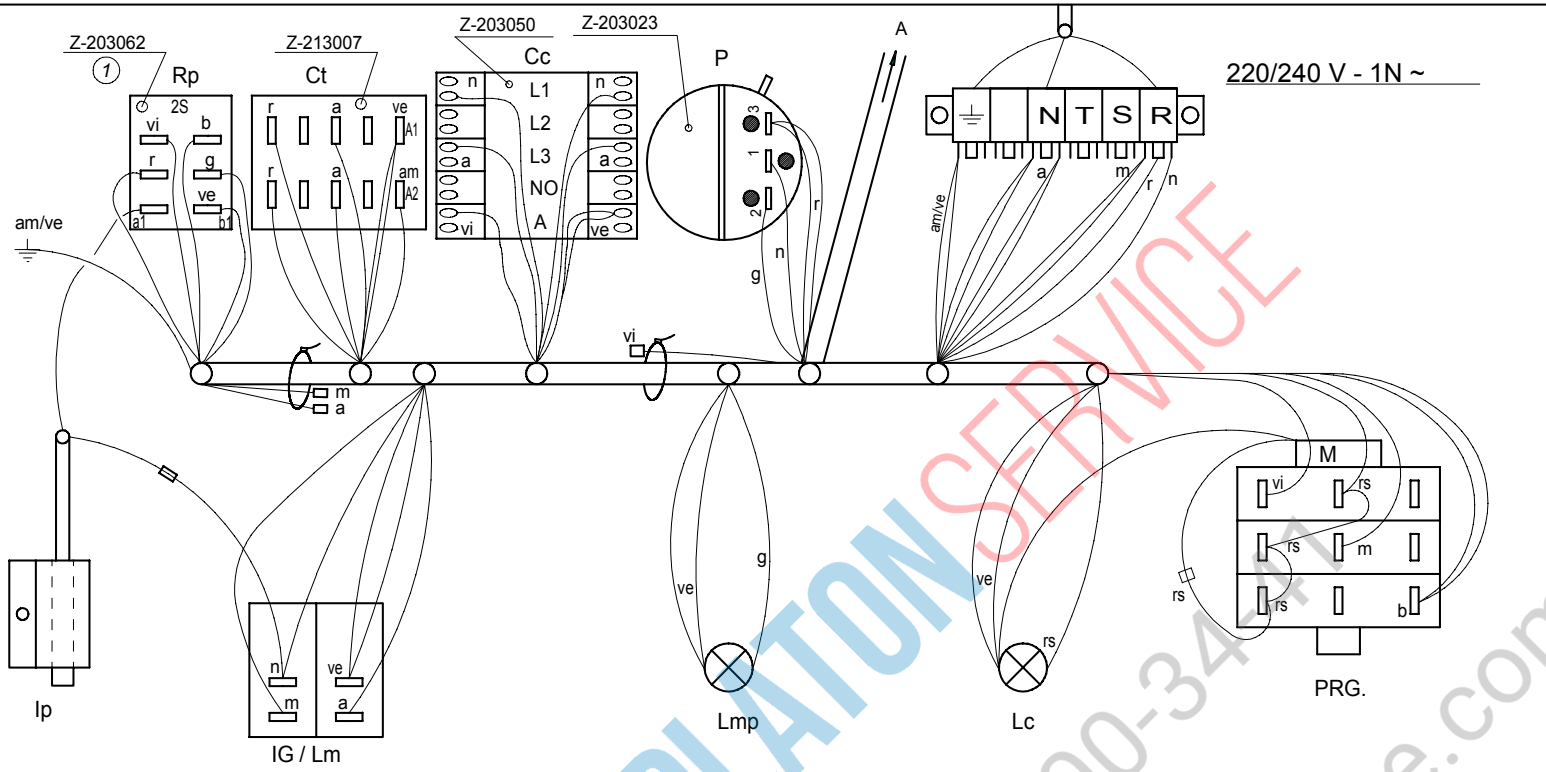


| | | | | | | | | |
|--|---------|---------|---------|---------|---------|---------|---------|---------|
| | 1 1a | 2 2a | 3 3a | 4 4a | 5 5a | 6 6a | 7 7a | 8 8a |
| | | X | | X | X | | | X |
| | X | | X | | X | X | X | X |

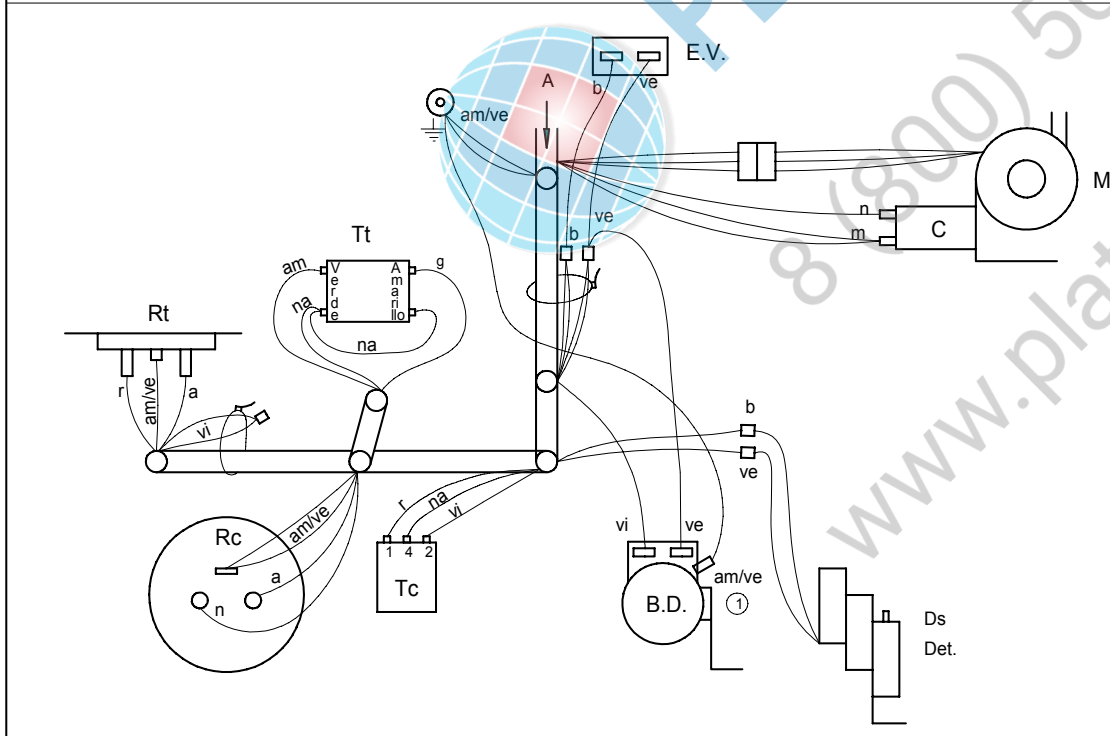
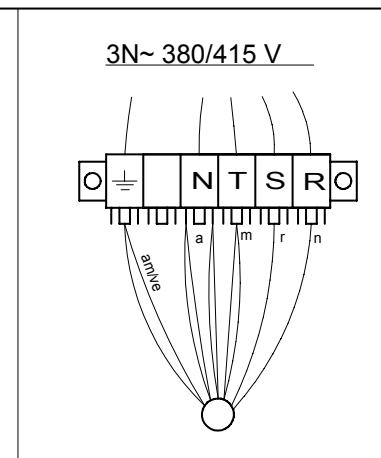
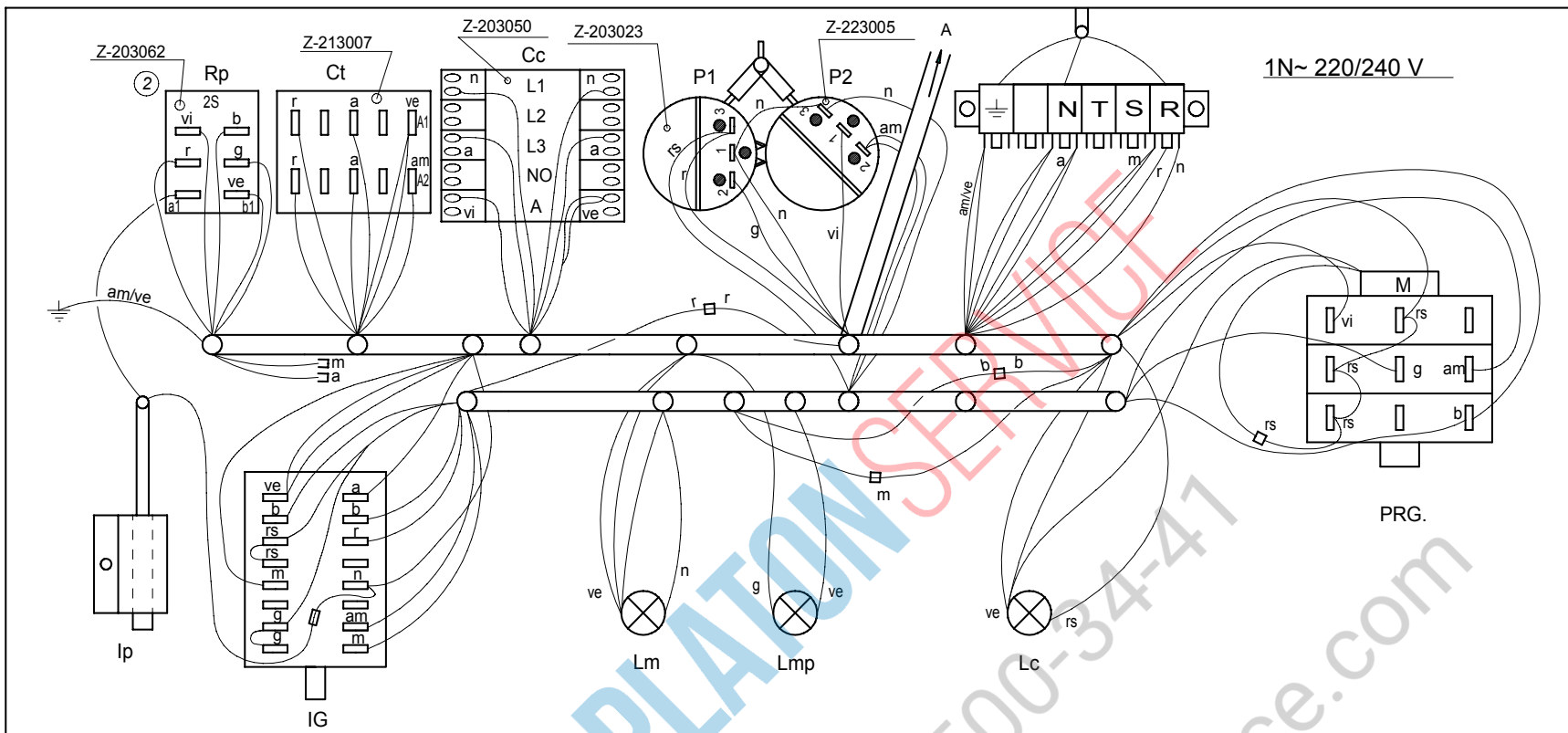


CODIGO DE COLORES:
 r = rojo-red-rouge
 m = marron-brown-marron
 g = gris-grey-gris
 n = negro-black-noir
 a = azul-blue-bleu
 b = blanco-white-blanc
 vi = violeta-violette-violet
 am = amarillo-yellow-jaune
 na = naranja-orange-orange
 rs = rosa-rose-pink
 ve = verde-green-vert
 am/ve = amarillo verde-yellow green-jaune vert

| | | | | | | |
|--------|---------------------------------|------------|---|-------------------|--|---|
| - | Esquema teorico adhesivo | - | - | Z-208807 | - | |
| Zk./Nº | Pieza | Cant. | Materiala/Material | Klas. zk/Nº Clas. | Gainazal akabera/Tratamiento | |
| Zk./Nº | Aldaketa/Modificaciones | | Nork proposatua/Propuesta de | Data/Fecha | Perdoi orokorrak Tolerancias generales | |
| - | - | - | - | - | < 5 ± 0.2 | |
| - | - | - | - | - | 50 ± 100 ± 0.8 | |
| - | - | - | - | - | 5 + 25 ± 0.4 | |
| - | - | - | - | - | >10 ± 1 | |
| - | - | - | - | - | 25 + 50 ± 0.6 | |
| - | - | - | - | - | α ± 1 | |
| | Sinadura/Firma | Data/Fecha | Fagor Industrial, Koop. Elk. Mugatua | | Gainazal perdoia Mecanizado superficial | |
| | Marratzua/Dibujado | S. N. | | | 28-9-95 | - |
| | Proiektatua/Proyectado | - | | | - | - |
| | Egiaztatua/Comprobado | - | | | - | - |
| | Eskala/Escala | | | | Plano Zk./Plano Nº HC-16504 | |
| | | | LAVAVAJILLAS | | - Zk. ord. du | |
| | | | Plano hau ezin daiteke erabili, ez berrizatu, gure baimenik gabe. | | - Zk. gaitik ord. | |



| | | | |
|---|--|------------------|---|
| Esquema de montaje FI-30 | | Z-203051 | |
| Nº Pieza | Material | Nº Clasificación | Acabado |
| Nº Modificación | Propuesta de | Fecha | Tolerancias generales |
| ① Sustituir relé Z-203018 por Z-203062, cambiar colores en Rp | J.M.P.A. | 13-05-02 | <5± : 50-100± : 5-25± : >100± 25-50± : ∞± |
| Dibujado | Firma | Fecha | Mecanizado superficial |
| Proyectado | Santi Caro | 07-07-00 | FAGOR |
| Comprobado | | | |
| Escala | LAVAVAJILLAS | | Plano numero |
| | Plano hau ez daiteke erabil ez bezitza gure baimenitz gabe | | HC-17262-1 |
| | | | Sustituye al Nº HC-16176 |
| | | | Sustituido por |



| | | | | | | |
|---------------------------|---|-------|--------------|------------------|--|---|
| Esquema de montaje FI-30B | | | Z-208808 | | | |
| Nº | Pieza | Cant. | Material | Nº Clasificación | Acabado | |
| Nº | Modificación | | Propuesta de | Fecha | Tolerancias generales | |
| ① | Añadir cable tierra en bomba desague | | Santi | 4-6-2001 | $5\pm$ $5-25\pm$ $25-50\pm$ $\infty\pm$ | |
| ② | Sustituir relé Z- 203018 por Z- 203062, cambiar colores en Rp | | J.M.P.A. | 02-05-13 | | 50-100± : > 100± : $\infty\pm$: |
| | | | | | | |

| | | | | |
|--------------|------------|----------|--|------------------------|
| Dibujado | Firma | Fecha | Fagor Industrial, Koop. Elk, Mugatua | Mecanizado superficial |
| Proyectado | Santi Caro | 07-07-00 | | |
| Comprobado | | | | |
| Escala | | | | |
| LAVAVAJILLAS | | | Plano numero | HC-17264 -2 |
| | | | Sustituye al Nº | HC-16331 |
| | | | Sustituido por | |

Plano hau ez daitelke erabili ez bemizta gure baimenitaz gabe